



## diamant double cylinder

SKU DO.diamant.DZ.333T

Producer No. 333T

### Everlasting quality

The DOM diamant system impresses with extreme performance values. Here you can experience the high quality of another generation - made by DOM. The diamant system allows far higher requirements for protection and locking comfort. This is made possible by the steel locking mechanism with 21 rotating steel discs. Every single component, from the material to the locking mechanisms, stands for uncompromising quality down to the last detail.

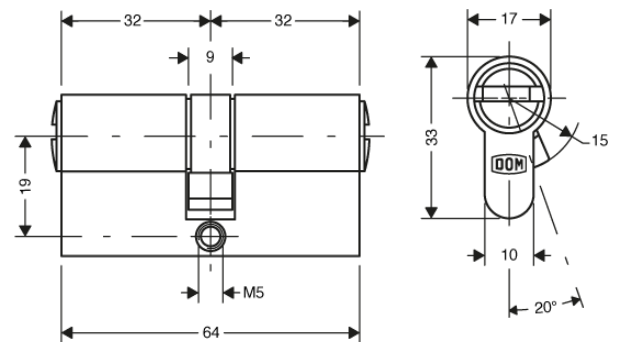
### Basic length

- from 32/32 mm
- measured from the middle of cam
- extension of 5 mm per side



### Technical characteristics

- highest drilling and core pulling protection
- increased drilling protection through carbide elements or steel-hardened elements
- modular construction with chrome-nickel steel connecting bar
- with emergency and danger function (closing on both sides)
- drilling protection according to VdS BZ+ as standard
- 21 rotating, ball bearing mounted steel discs on each closing side
- 35-fold locking authorisation queries per key
- 2 upstream inspection discs
- 3 axially arranged locking rollers
- coreless locking system
- 10 rotating locking elements (freely rotating mounted locking segments made of stainless steel)
- 6 massive pin locking elements
- lateral revision pins
- locking security class according to DIN EN 1303 04/2005: 6
- 10 years DOM additional guarantee if registered under DOM



### Execution

- solid cylinder body made of high-quality stainless steel in MIM technology
- cylinder core: duracast
- corrosion-free and low-wear

### Options / Special equipment

- different cylinder finish (polished brass, oxidized bronze)\*

### Operational area

- external doors, entrance doors with increased security requirements, apartment doors
- single-family homes with the highest protection requirements
- airports, educational institutions, financial buildings, residential buildings, hospitals, industry, hotel buildings
- high security building, small to large businesses

### Scope of delivery

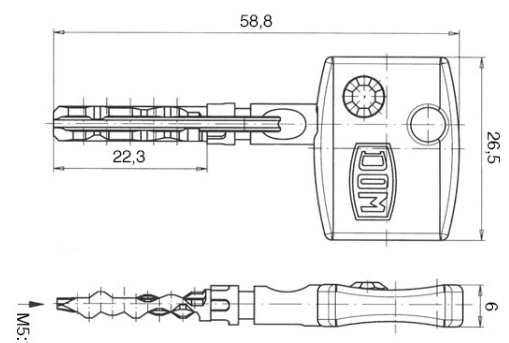
- double cylinder incl. 3 or more keys
- 1 fixing screw
- Security card

### Care instructions

The DOM diamant cylinders have a disc locking mechanism which must not be lubricated with a solid lubricant (e.g. graphite). They are sufficiently provided ex works with a resin-free liquid lubricant so that their perfect function is guaranteed for a long time. However, to prevent the cylinder from „running dry“ during heavy use, it should be „relubricated“ from time to time with the DOM service pen.

### Key

- key thickness: 6 mm
- highest key copy protection by multilinear, three-dimensional key profile, CNC manufactured
- stainless steel key with duracast bow
- ergonomically shaped key head, energy-saving door opening



## Technical details

---

### MIM technology

DOM diamant achieves extreme performance values with the innovative disc technology and the cylinder fully encased in high-quality MIM steel. The stainless steel used here is coated with the special MIM process (metal injection moulding), a powder injection moulding process.

### Impact protection

The cylinder contains impact protection pins and other safety elements that prevent access by impact keys to turn the inner pins.

### Opening protection

The cylinder contains specially shaped unlocking security pins that prevent opening by means of a lock pick.

### Pulling protection

The cylinder contains a special cylinder core that prevents the cylinder from being pulled out by drilling into the core.

## Security options

---

### Drilling protection VdS BZ+ = high safety for special requirements

In cooperation with the police, VdS Schadenverhütung GmbH has developed a star system that divides mechanical locking systems into three different security classes, thus providing you with a quick overview of the respective security level.

- drilling protection VdS BZ+ = VdS security class 3
- recognition by VdS Schadenverhütung GmbH
- VdS checks locking systems and awards recognition from A to BZ+



\* this selection extends the delivery time