



ENiQ® Pro V2 padlock

SKU DO.ENIQPRO.VH
Producer No. 777ENIQBLEPRO

ENiQ® Version V2 - Data transmission now also via Bluetooth

The ENiQ Pro is the perfect introduction to the world of electronic locking technology. Simple and flexible use of an ENiQ® Pro without software. Transponders are simply programmed with the master / or programming card, lost transponders can be deleted via the respective transponder management card.

With the optional ENiQ app for your Android smartphone, you have a programming tool for access management in your pocket. It gives you the ability to program and delete transponders from the system via NFC or BLE, assign time-based access permissions, and read events from the cylinder. Simply download the app from the Google Play store and you're ready to go. However, you can also program and use the cylinder without the app, and programming with the ENiQ AccessManager Software is also possible.

Measurements

- clear shackle height: 30 mm
- shackle: Ø 11,1 mm
- case width: 56 mm

Technical characteristics

- padlock without positive locking
- padlock made of solid brass, surface matt chrome-plated
- shackle made of steel (10B21), surface polished chrome-plated
- finish of external knob: stainless steel look
- illuminated ring for optical signalling
- corrosion protection included
- low maintenance, long battery life and easy installation without wiring
- patented system
- expandable at any time with additional ENiQ® EasyFlex booklets
- easy installation via app (optional)
- free app up to 5 cylinders, afterwards € 279 (when ordering via sullus only € 229)
- no software or online connection necessary (upgrade to software when expanding your system is possible at any time)

Programming possible via

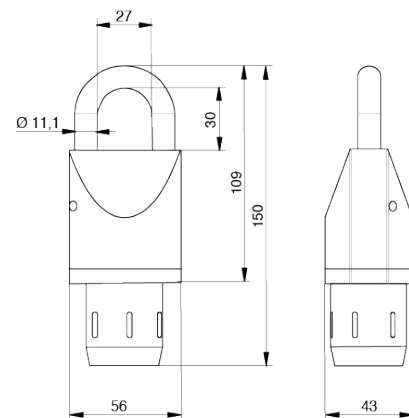
- master- / programming card
- ENiQ-App (BLE or NFC)
- DOM BLE-Stick (replacement for previous wireless stick)

Operational area

- protection of medium to large valuables with a high risk of theft
- residential buildings, office buildings
- airports, financial buildings, hospitals, hotel buildings, industry, factories
- public institutions, educational establishments
- small to medium-sized companies
- medium-sized to large companies

Scope of delivery

- 1 ENiQ® Pro V2 padlock, single-sided reading
- CR2 battery



reader knob

Details

- supported operating systems from Android 5.0
- operating modes: offline
- communication technology: BLE 4.2, NFC
- user identification: Mifare RFID 13.56 MHz
- supported locking media: Mifare Classic, Mifare DESFire, Mifare DESFire 8k, Mifare Ultralight, Mifare Plus, ISO 14443 A, Legic ATC 1024
- RFID encryption: AES, AES-128 bit, DES, 3DES, Crypto-1, ISO 14443A, OSS
- data encryption: XSALSA20-256 Bit, Curve 25519-256 Bit, Poly 1305-128 Bit
- battery life: up to 80.000 locking cycles or up to 3 years (visual battery warning)
- fatigue strength: at least 100.000 cycles (according to EN 15684 class 6)
- battery type CR2, 2 pieces
- operating temperature: -25° to 65° celsius
- programming methods: master card, transponder management card, DOM ENiQ APP, software
- supported devices: Pro, Guardian, AccessManager, AccessManager Terminal
- quick access to login data with the app and tracking

What's new with ENiQ Pro V2

- NEW: BLE interface for programming and online connection
- 868 MHz interface not applicable, previous radio stick cannot be used for V2 devices
- programming possible via: master / programming card, ENiQ-App (BLE or NFC) or ENiQ software with DOM BLE stick
- programming via ENiQ app via NFC and BLE possible (so far only NFC)
- full compatibility with V1 devices (including identical body assemblies, batteries, etc.)
- optically no changes to version V1

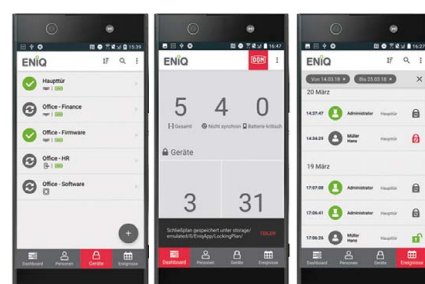


Program the app in 3 easy steps

1. Bring the ENiQ app closer to the transponder to program it.
2. Walk to the door with your smartphone to program the data in the cylinder.
3. The person can now open the door with their transponder.

Management / Application

- with app you can manage up to 500 persons or transponders as well as 100 devices and store 100.000 access events
- individual authorizations of persons at single or recurring times at your DOM devices
- simple overview of all system components
- clear display of all to do's
- display of all access events with filter function according to devices, persons, transponders and time
- display of current device data, such as battery status and firmware version
- search, filter and sort function for a better overview and faster location of system elements
- assignment and filtering of your persons according to departments or functions
- door opening of the devices with the admin smartphone possible
- comfortable and uncomplicated weekly schedule creation
- password protection
- first VdS ** certified app according to the guideline VdS-3169-1:2016-02
- backup function: you have lost your smartphone or are getting a new smartphone? No problem! Simply make a regular backup of the ENiQ app on your current smartphone and transfer it to your PC. Then simply transfer the backup file to your new smartphone.



The app is free of charge for up to 5 cylinders.

If you would like to program more cylinders via the app, this app costs a one-time fee of €279 via Google PlayStore. You can request a voucher code from us and then save €50 when buying the app (offer only available in connection with the purchase of a DOM ENiQ cylinder).

Loss of keys

Your key will soon be called a transponder and key loss is no longer a problem! Lost transponders are deactivated via the respective transponder management card on the cylinder.

Controlled access authorisations

With the purchase of a further booklet, the circle of people who are to be granted access (domestic help, babysitters, overnight guests, etc.) can be quickly and easily expanded at any time.

Reliable

The battery contained in the cylinder can complete up to 80.000 cycles. A multi-stage battery warning system lets you know in good time when a battery change is required.

KfW Promotion

For individual measures - such as replacing a locking cylinder - you can also use KfW's promotional products. On their website at www.kfw.de/einbruchschutz you will find all the necessary information and also useful tips on how to protect yourself and effectively secure your home against burglary.

Made in Germany

The DOM Group is one of the world's leading manufacturers of innovative locking technology and electronic access systems - both in the private and commercial sectors.

You need one master card per system, without this the cylinder cannot be put into operation.