

DOM ix RS8 rim cylinder

The highest possible resistance values provide the all-round reassuring feeling of having secured doors and access points with outstanding security. In the truest sense of the word, because a new technology with laterally applied control and stabilisation ribs gives the key an extremely high degree of copy protection.

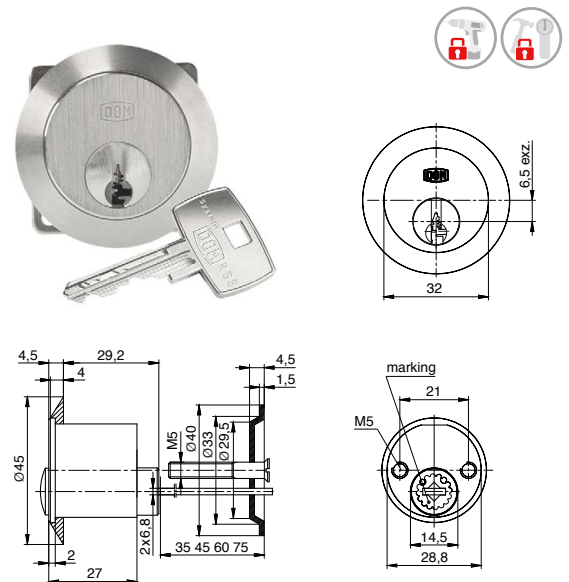
Thus the RS 8 system offers the highest possible security in burglary protection. To secure your valuables at home or in your company. And for your personal „good feeling“. You can rely on it.

Measurements

- case length: 27 mm
- mounting diameter: 32 mm
- drilling distance: 21 mm

Technical characteristics

- high protection against manipulation due to 13-fold locking authorisation query
- 8 spring-loaded, solid pin locking elements made of special brass or hardened steel, arranged axially in 2nd row
- thereof 3 new additional pin locking elements
- 16 sectionally stepped core and body pins
- narrowed core and body pins for safety during scanning and unlocking
- paracentric, two-part core and key profiling
- profile segments matched at lock level
- protected against impact picking by modified design of the locking elements
- 13 mm core diameter
- certified according to ISO 9001:2008
- patent protection until 2024



Execution

- cylinder body and cylinder core made of solid brass (high corrosion protection)
- finish: dull nickel
- serrated key system
- vertical key insertion
- compatible with DOM electronics (made possible by integrating passive transponder technology into the key bow via clip tag)

Key

- nickel silver serrated key: corrosion-free and low-wear
- key with optimized cut layers of the flank edge
- rib on the side of the key (copy protection)
- 3 control tracks, arranged axially offset protect against unauthorized key copies
- complex coding in the key makes it difficult to make a duplicate key
- patented key blanks that are not freely available on the market

Operational area

- external doors, additional box lock for front doors with increased security requirements
- for additional box locks, these are listed under door accessories
- design for wooden doors
- suitable for DOM box lock with locking shackle 3019-03-2

Scope of delivery

- rim cylinder (type 555 P) incl. 3 or more keys
- rosette
- holding plate and 2 fixing screws
- Security card

Serrated key with rib on the side

The control and stabilising ribs on the sides give the key an extremely high degree of copy protection.

