

## DOM ix RS8 double cylinder

The highest possible resistance values provide the all-round reassuring feeling of having secured doors and access points with outstanding security. In the truest sense of the word, because a new technology with laterally applied control and stabilisation ribs gives the key an extremely high degree of copy protection.

Thus the RS 8 system offers the highest possible security in burglary protection. To secure your valuables at home or in your company. And for your personal „good feeling“. You can rely on it.

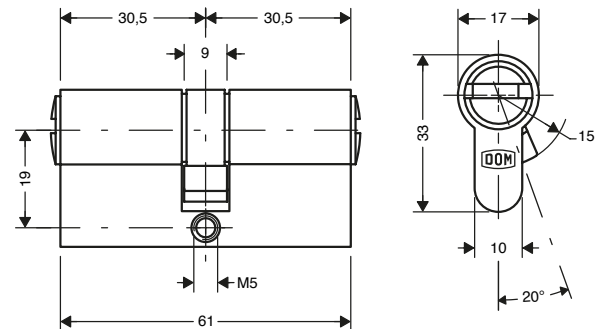
### Basic length

- from 30,5/30,5 mm
- measured from the middle of cam
- 5 mm extension per side
- from a total length of 125 mm, the production is carried out in modular design



### Technical characteristics

- high protection against manipulation due to 13-fold locking authorisation query
- drilling protection VdS B+ as standard (locking system: drilling protection)
- optional highest possible VdS class BZ+ with modular design (locking system: BZ)
- with emergency and danger function (closing on both sides)
- each locking side 8 spring-loaded, solid pin locking elements made of special brass or hardened steel, arranged axially in 2nd row
- thereof 3 new additional pin locking elements
- 16 sectionally stepped core and body pins
- narrowed core and body pins for safety during scanning and unlocking
- paracentric, two-part core and key profiling
- profile segments matched at lock level
- protected against impact picking by modified design of the locking elements
- 13 mm core diameter
- one-piece cam made of sintered steel
- according to DIN EN 1303:2015-08, certified according to ISO 9001:2008
- locking security class 6, attack resistance class B according to DIN EN 1303
- patent protection until 2024



### Execution

- cylinder body and cylinder core made of solid brass
- finish: dull nickel
- serrated key system with vertical key insertion
- compatible with DOM electronics (made possible by integrating passive transponder technology into the key bow via clip tag)

### Options / Special equipment

- different cylinder finishes (polished brass, oxidized bronze, matt black chrome) \*
- increased drilling protection + modular design = VdS BZ+ (VdS\*\*\*)
- weather protection \*
- freewheel \*\*

### Operational area

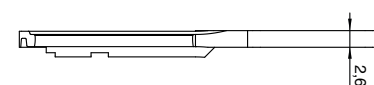
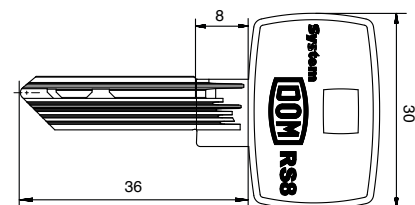
- interior doors, exterior doors, front doors, apartment doors with increased security requirements
- single-family houses with high protection requirements
- medium to large companies, public buildings

### Scope of delivery

- double cylinder incl. 3 or more keys
- 1 fixing screw
- Security card

### Key

- nickel silver serrated key: corrosion-free and low-wear
- key with optimized cut layers of the flank edge
- rib on the side of the key (copy protection)
- 3 control tracks, arranged axially offset protect against unauthorized key copies
- complex coding in the key makes it difficult to make a duplicate key
- patented key blanks that are not freely available on the market



## Technical details

---

### Serrated key with rib on the side

The control and stabilising ribs on the sides give the key an extremely high degree of copy protection.

### Impact protection

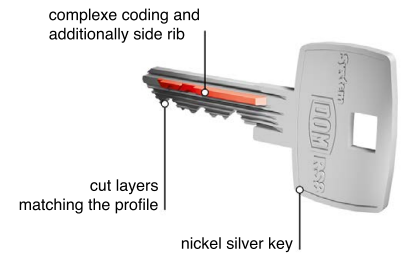
The cylinder contains impact protection pins and other safety elements that prevent access by impact keys to turn the inner pins.

### Opening protection

The cylinder contains specially shaped unlocking security pins that prevent opening with the help of a lock pick.

### Pulling protection

The cylinder contains a special cylinder core which prevents the cylinder from being pulled out by drilling into the core.



## Security options

---

### Drilling protection VdS BZ+ = high safety for special requirements

In cooperation with the police, VdS Schadenverhütung GmbH has developed a star system that divides mechanical locking systems into three different security classes, thus providing you with a quick overview of the respective security level.

- recognition by VdS Schadenverhütung GmbH
- VdS checks locking systems and awards recognition from A to BZ+
- drilling protection VdS BZ+ = VdS security class 3
- VdS BZ+: increased drilling and core pulling protection due to carbide pins arranged in several planes in the cylinder body and cylinder core
- this drilling protection variant is manufactured in modular technology with increased tear-off protection



\* this selection extends the delivery time \*\* on request