



ix RS8 half cylinder Express

SKU DO.RS8.HZ.333HB.VMAX
Producer No. 333HBRS8VMAX

The highest possible resistance values provide the all-round reassuring feeling of having secured doors and access points with outstanding security. In the truest sense of the word, because a new technology with laterally applied control and stabilisation ribs gives the key an extremely high degree of copy protection.

Thus the RS 8 system offers the highest possible security in burglary protection. To secure your valuables at home or in your company. And for your personal „good feeling“. You can rely on it.

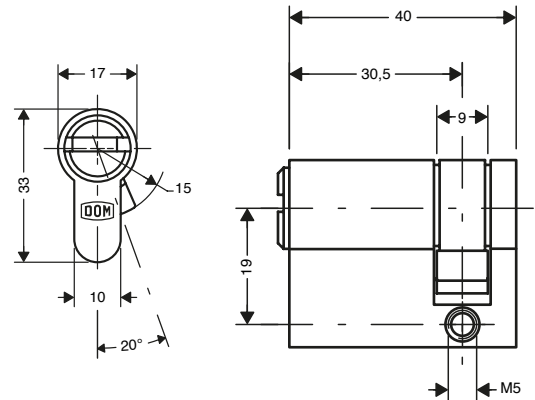
Basic length

- from 30,5/10 mm
- up to max. 40,5/10 mm
- measured from the middle of cam
- extension in 5 mm steps



Technical characteristics

- high protection against manipulation due to 13-fold locking authorisation query
- drilling protection VdS B+ as standard (locking system: drilling protection)
- 8 spring-loaded, solid pin locking elements made of special brass or hardened steel, arranged axially in 2nd row
- thereof 3 new additional pin locking elements
- 16 sectionally graded core and body pins
- narrowed core and body pins for safety during scanning and unlocking
- paracentric, two-part core and key profiling
- profile segments matched at lock level
- protected against impact picking by modified design of the locking elements
- 13 mm core diameter
- one-piece cam made of sintered steel
- according to DIN EN 1303:2015-08, certified according to ISO 9001:2008
- locking security class 6, attack resistance class B according to DIN EN 1303
- patent protection until 2024



Execution

- cylinder body and cylinder core made of solid brass (high corrosion protection)
- finish: dull nickel
- serrated key system
- vertical key insertion
- cam 8-fold adjustable
- compatible with DOM electronics (made possible by integrating passive transponder technology into the key bow via clip tag)

Operational area

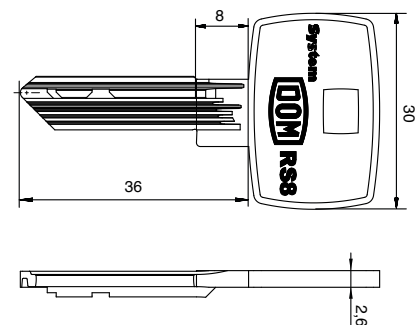
- for single or multi-speed mortise locks and various other locks
- switch cylinder for elevator technology
- garage doors, key switches, activation devices, roller shutters (with side mounting)
- single family houses with high protection requirements
- apartment buildings
- medium to large companies, public buildings

Scope of delivery

- half cylinder incl. 3 or more keys
- 1 fixing screw
- Security card

Key

- nickel silver serrated key: corrosion-free and low-wear
- key with optimized cut layers of the flank edge
- rib on the side of the key (copy protection)
- 3 control tracks, arranged axially offset protect against unauthorized key copies
- complex coding in the key makes it difficult to make a duplicate key
- patented key blanks that are not freely available on the market



Technical details

Serrated key with rib on the side

The control and stabilising ribs on the sides give the key an extremely high degree of copy protection.

Impact protection

The cylinder contains impact protection pins and other safety elements that prevent access by impact keys to turn the inner pins.

Opening protection

The cylinder contains specially shaped unlocking security pins that prevent opening with the help of a lock pick.

Pulling protection

The cylinder contains a special cylinder core which prevents the cylinder from being pulled out by drilling into the core.

