

# PRODUCT DATA SHEET

**sullus**<sup>®</sup>  
security systems

SKU DO.RS8.KZ.333K6B  
Producer No. 333K6BRS8

## **DOM** ix RS8 knob cylinder

The highest possible resistance values provide the all-round reassuring feeling of having secured doors and access points with outstanding security. In the truest sense of the word, because a new technology with laterally applied control and stabilisation ribs gives the key an extremely high degree of copy protection.

Thus the RS 8 system offers the highest possible security in burglary protection. To secure your valuables at home or in your company. And for your personal „good feeling“. You can rely on it.

### Basic length

- from 30,5/30,5 mm
- measured from the middle of cam
- extension 5 mm per side
- from a total length of 125 mm, the production is carried out in modular design
- The knob is always located on the inside of the cylinder.

### Technical characteristics

- high protection against manipulation due to 13-fold locking authorisation query
- drilling protection B as standard (locking system: drilling protection)
- optional highest possible VdS class BZ+ with modular design (locking system: BZ)
- each locking side 8 spring-loaded, solid pin locking elements made of special brass or hardened steel, arranged axially in 2nd row
- including 3 novel additional pin locking elements
- 16 sectionally stepped core and body pins
- narrowed core and body pins for safety during scanning and unlocking
- paracentric, two-part core and key profiling
- profile segments matched at lock level
- protected against impact picking by modified design of the locking elements
- 13 mm core diameter
- one-piece cam made of sintered steel
- certified according to ISO 9001:2008
- patent protection until 2024

### Execution

- cylinder body and cylinder core made of solid brass (high corrosion protection)
- finish: dull nickel
- serrated key system
- vertical key insertion
- compatible with DOM electronics (made possible by integrating passive transponder technology into the key bow via clip tag)

### Options / Special equipment

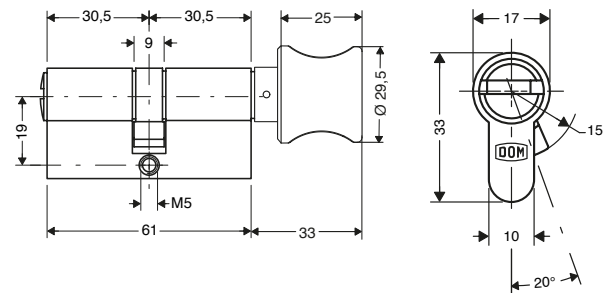
- different cylinder finishes (polished brass, oxidized bronze, matt black chrome) \*
- different knob designs, standard design K6 (optional: K1, K3, K4)
- increased drilling and pulling protection + modular design
- weather protection \*

### Operational area

- interior doors, exterior doors, front doors, apartment doors with increased security requirements
- single family houses with high protection requirements
- apartment buildings
- medium to large companies, public buildings

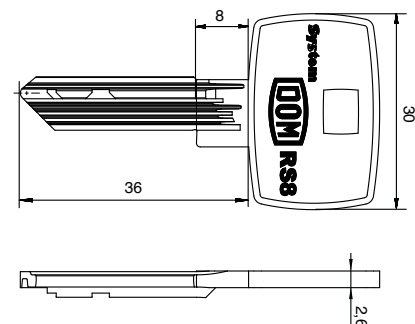
### Scope of delivery

- knob cylinder incl. 3 or more keys
- 1 fixing screw
- Security card



### Key

- nickel silver serrated key: corrosion-free and low-wear
- key with optimized cut layers of the flank edge
- rib on the side of the key (copy protection)
- 3 control tracks, arranged axially offset protect against unauthorized key copies
- complex coding in the key makes it difficult to make a duplicate key
- patented key blanks that are not freely available on the market



## Technical details

---

### Serrated key with rib on the side

The control and stabilising ribs on the sides give the key an extremely high degree of copy protection.

### Impact protection

The cylinder contains impact protection pins and other safety elements that prevent access by impact keys to turn the inner pins.

### Opening protection

The cylinder contains specially shaped unlocking security pins that prevent opening with the help of a lock pick.

### Pulling protection

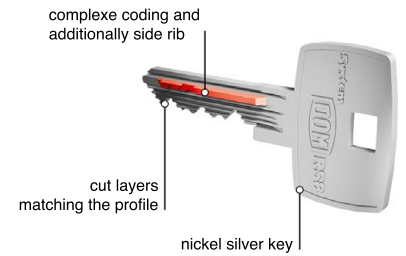
The cylinder contains a special cylinder core which prevents the cylinder from being pulled out by drilling into the core.

## Security options

---

### Increased drilling and pulling protection

- increased protection against drilling and core pulling due to tungsten carbide pins arranged in several planes in the cylinder body and cylinder core
- this drilling protection variant is manufactured in modular technology with increased tear-off protection



\* this selection extends the delivery time