



ix Teco® (7TE) camlock cylinder

SKU DO.ix7TE.BK.382
Producer No. 382ix7TE

System ix Teco® (7TE) „Easy access to superior security“

The new ix Teco® reversible key (commercial profile ix 7TE) is particularly well protected against unauthorized copying by an innovative additional stamped recess in the key, based on a patented technology. A special high-low (HT) milling technology in the horizontal base profile increases security during profile control and is difficult to copy. With the innovative and sophisticated design, you acquire a locking system with efficient key copy protection, which is predestined for use in the locking system, but also for individual locks.

Measurements

- installation depth: 33,8 mm
- body length: 25,3 mm
- clamping dimension (standard closing lever): 26,3 mm
- mounting hole: Ø 25 mm lateral reduced to 22,5 mm

Technical characteristics

- high protection against manipulation by 20-fold locking authorisation query
- anti bumping (impact key protection) & anti picking pins (picking protection)
- up to 12 horizontal and vertical profile control pins: control points for the authorization query of a key
- 7 spring-loaded pin locking elements, axially arranged, made of special brass/hardened steel offer manipulation protection (6 variable tumblers, 1 function pin interrogation for the stamped recess)
- 12 core and body pins
- narrowed core and body pins for safety during scanning and unlocking
- 13 mm core diameter
- locking path: 90°, lever adjustable in 45° steps by 360 degrees
- concave core head as key insertion aid
- certified according to ISO 9001:2015
- patent protection until 2038

Execution

- cylinder body and cylinder core made of solid brass (high corrosion protection)
- finish: dull nickel
- reversible key system
- horizontal key insertion
- compatible with DOM electronics (made possible by integrating passive transponder technology into the key bow via a clip tag)

Options / Special equipment

- different closing lever variants (standard: closing lever 20 x 3 x 50 mm)

Locking paths

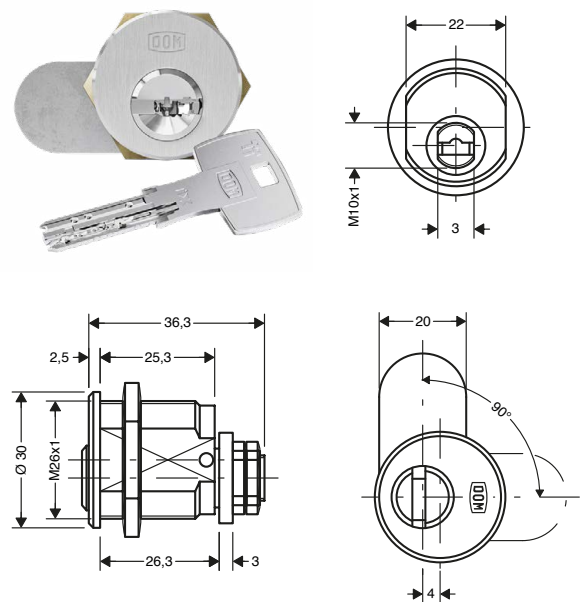
- locking path A: open on the top, closed on the left
- locking path B: open on the top, closed on the right
- locking path E: open on the bottom, closed on the left
- locking path F: open on the bottom, closed on the right

Operational area

- letter box systems, metal cabinets, cassettes, tool compartments, etc.
- cloakroom lockers
- inspection hatches
- vending machines

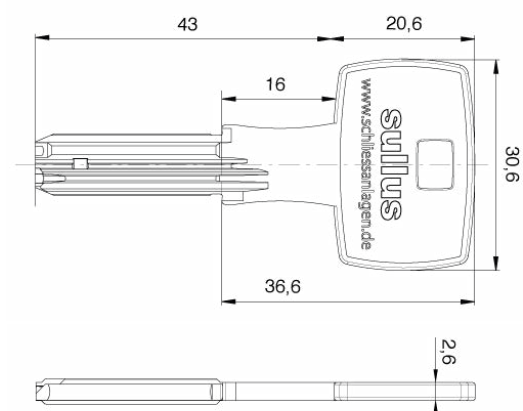
Scope of delivery

- camlock cylinder (type 382) incl. 3 or more keys
- closing lever
- Security card



Key

- key thickness: 2,6 mm
- nickel silver reversible key: corrosion-free and low-wear
- high operating comfort due to reversible key
- new key head design
- special high-low milling (lift-out and sloped areas) for optimal key insertion
- with additional stamped recess
- complex coding in the key makes it difficult to make a duplicate key (very high key copy protection)
- key blade length adapted to all common safety fittings
- no key blanks available on the market



Technical details

Reversible key with special high-low milling (HT)

The DOM System ix Teco® (7TE) has a patented high-low milling in the key and thus offers a high technical key copy protection and high manipulation protection against opening techniques.

