



## ix TwinStar double cylinder 2-in-1

SKU DO.twinstar.DZ.333TB-2-in-1  
Producer No. 333TBixTwinStar

### „Two roles - double security“

With the ix TwinStar®, DOM once again demonstrates its comprehensive expertise in the field of mechanical locking technology. The new reversible key system is particularly well protected against unauthorised copying by a floating double roller in the key.

DOM ix TwinStar® is a secure locking system for all those looking for the highest quality. It meets the high requirements of VdS, DIN and SKG and can be used in residential buildings, offices or private companies. Thanks to a complex system - 11 spring-loaded locking elements, 10 of which are pin locking elements and 1 locking shaft locking element - it is suitable for private homes up to large buildings with high security standards.

### Basic length

- from 30,5/30,5 mm
- measured from the middle of cam
- extension 5 mm per side
- from a total length of 125 mm, the production is carried out in modular design

### Technical characteristics

- high protection against manipulation due to 22-fold locking authorisation query
- anti-bumping & anti-picking pins
- drilling protection VdS B as standard
- optional highest possible VdS class BZ (with modular design)
- with emergency and danger function (closing on both sides)
- up to 10 positively guided, massive profile control pins
- 11 spring-loaded locking elements made of special brass or hardened steel on each locking side: 10 pin locking elements, 1 locking shaft locking element (controlled by a locking shaft function pin) offer high protection against manipulation against intelligent opening methods and impact protection
- consisting of 20 narrowed core and body pins
- axially spring-loaded and movable locking shaft technology
- stainless steel locking shaft is actuated by a control pin positioned in the core
- 13 mm core diameter
- one-piece cam made of sintered steel
- according to DIN EN 1303:2015-08, certified according to ISO 9001:2015
- locking security class 6, attack resistance class C according to DIN EN 1303
- patent protection until 2036
- 10 years DOM additional warranty if registered under DOM

### Execution

- cylinder body and cylinder core made of solid brass
- finish: dull nickel
- reversible key system with horizontal key insertion
- compatible with DOM electronics (made possible by integrating passive transponder technology into the key bow via clip tag)

### Options / Special equipment

- different cylinder finishes (polished brass, oxidized bronze, matt black chrome) \*
- increased drilling protection + modular design = VdS BZ (VdS\*\*\*)
- weather protection \*, freewheel \*\*

### Cylinder version

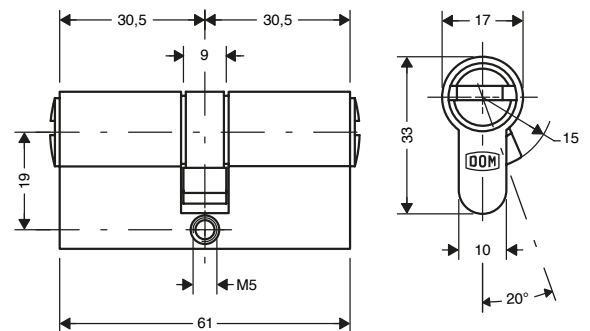
- DOM ix TwinStar double cylinder without 2-in-1 system

### Operational area

- interior & exterior doors, apartment doors with increased security requirements
- single family houses with high protection requirements, apartment buildings
- airports, educational institutions, financial buildings, hospitals, industry
- small to large office buildings/companies, industrial premises

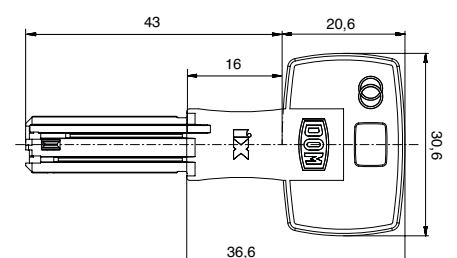
### Scope of delivery

- double cylinder incl. 2 x 3 or more keys
- 1 fixing screw
- Security card



### Key

- key thickness: 2,6 mm
- is delivered with a second set of keys
- nickel silver reversible key: corrosion-free and low-wear
- active copy protection: 2 independently movable rollers in the key tip (patented), each with a spring-loaded active function query, make it difficult to make duplicate keys
- mobility detection of the rollers through labyrinth in the key channel
- key tip with ramp for pin locking elements
- trough bores with optimized angular cuts of the flank angles
- complex coding in the key with known high-ribbed technology make it difficult to make duplicate keys
- no key blanks available on the market
- key blade length adapted to all common safety fittings
- new key head design



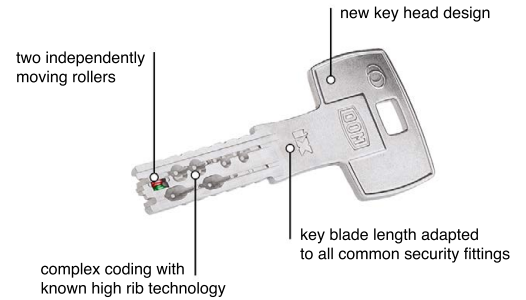
## Technical details

### Reversible key with patented movable double roller

It may look like a normal key, but the ix TwinStar is the pinnacle in the evolution of DOM keys. Every technology, innovation and patent for mechanical security ever developed by DOM engineers has resulted in this unique reversible key. It features more complex copy protection technologies integrated into the key and more pins for more security and possible combinations. It also offers the highest level of user-friendliness due to the reversible technology.

### Twin caster

It only looks like a small wheel, but the double role in the key of the DOM ix TwinStar is a really big deal. Not only does it make it almost impossible to copy the cylinder unless you have the right special tool, it also generates a large number of extra key combinations, making it a perfect addition to the security system. Best of all, it is still as easy to use as a regular reversible key.



### Impact protection

The cylinder contains impact protection pins and other security elements that prevent access by impact keys to turn the inner pins.

### Opening protection

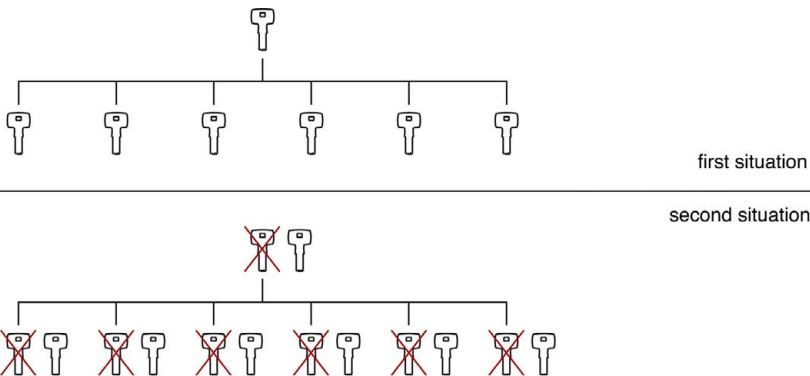
The cylinder contains specially shaped unlocking security pins that prevent opening with the help of a lock pick.

### Pulling protection

The cylinder contains a special cylinder core which prevents the cylinder from being pulled out by drilling into the core.

### 2-in-1 system

The DOM system is prepared at the factory for a second lock, which the customer can call up himself if required. The locking cylinder can be easily recoded with the second set of keys. A 360° turn in the cylinder - and the new lock is activated. The old keys are thus easily rendered ineffective.



- 2 x 3 keys, 2-in-1 recodable
- number of keys per key set selectable
- with this option standard drilling protection VdS B, with modular design VdS BZ
- Please note that this function cannot be reset! After the 1st locking with the 2nd key set, the 1st key set is deactivated forever!



## Options

### Drilling protection VdS BZ = high safety for special requirements

In cooperation with the police, VdS Schadenverhütung GmbH has developed a star system that divides mechanical locking systems into three different security classes, thus providing you with a quick overview of the respective security level.

- recognition by VdS Schadenverhütung GmbH
- VdS checks locking systems and awards recognition from A to BZ+
- drilling protection VdS BZ = VdS security class 3
- VdS BZ: increased protection against drilling and core pulling due to carbide pins in cylinder body and cylinder core arranged in several planes
- this drilling protection variant is manufactured in modular technology with increased tear-off protection
- modular design as 2-in-1 variant has drilling protection VdS BZ



\* this selection extends the delivery time \*\* on request