



## ix TwinStar double cylinder short

SKU DO.twinstar.DZ.333KLTB  
Producer No. 333TBixTwinStar

### „Two roles - double security“

With the ix TwinStar®, DOM once again demonstrates its comprehensive expertise in the field of mechanical locking technology. The new reversible key system is particularly well protected against unauthorised copying by a floating double roller in the key.

DOM ix TwinStar® is a secure locking system for all those looking for the highest quality. It meets the high requirements of VdS, DIN and SKG and can be used in residential buildings, offices or private companies. Thanks to a complex system - 11 spring-loaded locking elements, 10 of which are pin locking elements and 1 locking shaft locking element - it is suitable for private homes up to large buildings with high security standards.

### Basic length

- from 28/35,5 mm
- max. up to 28/50,5 mm
- measured from the middle of cam
- extension in 5 mm steps



### Technical characteristics

- high protection against manipulation due to 22-fold locking authorisation query
- anti-bumping & anti-picking pins
- drilling protection B as standard
- with emergency and danger function (closing on both sides)
- up to 10 positively guided, solid profile control pins enable complex locking systems
- 11 spring-loaded locking elements made of special brass or hardened steel on each locking side: 10 pin locking elements, 1 locking shaft locking element (controlled by a locking shaft function pin) offer high protection against manipulation against intelligent opening methods and impact protection
- consisting of 20 narrowed core and body pins
- axially spring-loaded and movable locking shaft technology
- stainless steel locking shaft is actuated by a control pin positioned in the core
- 13 mm core diameter
- one-piece cam made of sintered steel
- according to DIN EN 1303:2015-08, certified according to ISO 9001:2015
- locking security class 6, attack resistance class C according to DIN EN 1303
- patent protection until 2036
- 10 years DOM additional guarantee if registered under DOM

### Execution

- cylinder body and cylinder core made of solid brass (high corrosion protection)
- finish: dull nickel
- reversible key system with horizontal key insertion
- compatible with DOM electronics (made possible by integrating passive transponder technology into the key bow via clip tag)

### Options / Special equipment

- different cylinder finishes (polished brass, oxidized bronze, matt black chrome) \*

### Cylinder version

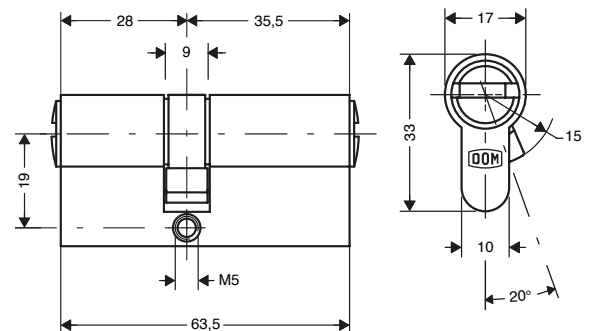
- DOM ix TwinStar double cylinder short with 2-in-1 system

### Operational area

- interior doors, exterior doors, front doors, apartment doors with increased security requirements
- single family houses with high protection requirements
- apartment buildings
- airports, educational institutions, financial buildings, hospitals, industry
- small to large office buildings/companies, industrial premises

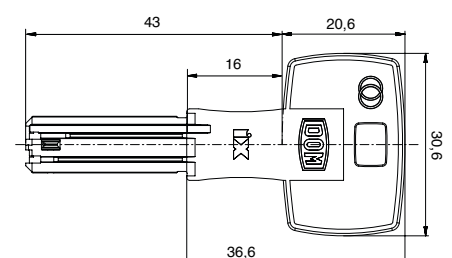
### Scope of delivery

- double cylinder short incl. 3 or more keys
- 1 fixing screw
- Security card



### Key

- key thickness: 2,6 mm
- nickel silver reversible key: corrosion-free and low-wear
- active copy protection: 2 independently movable rollers in the key tip (patented), each with a spring-loaded active function query, make it difficult to make duplicate keys
- mobility detection of the rollers through labyrinth in the key channel
- key tip with ramp for pin locking elements
- trough bores with optimized angular cuts of the flank angles
- complex coding in the key with known high-ribbed technology make it difficult to make duplicate keys
- no key blanks available on the market
- key blade length adapted to all common safety fittings
- new key head design



## Technical details

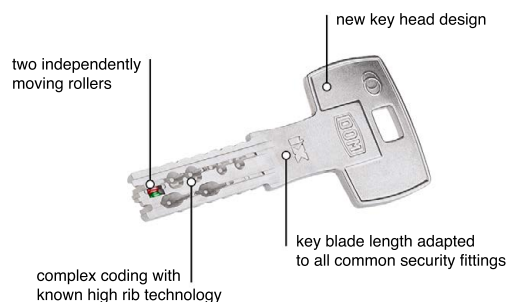
---

### Reversible key with patented movable double roller

It may look like a normal key, but the ix TwinStar is the pinnacle in the evolution of DOM keys. Every technology, innovation and patent for mechanical security ever developed by DOM engineers has resulted in this unique reversible key. It features more complex copy protection technologies integrated into the key and more pins for more security and possible combinations. It also offers the highest level of user-friendliness due to the reversible technology.

### Twin caster

It only looks like a small wheel, but the double roller in the key of the DOM ix TwinStar is a really big deal. Not only does it make it almost impossible to copy the cylinder unless you have the right special tool, it also generates a large number of extra key combinations, making it a perfect addition to the security system. Best of all, it is still as easy to use as a regular reversible key.



### Impact protection

The cylinder contains impact protection pins and other security elements that prevent access by impact keys to turn the inner pins.

### Unlocking protection

The cylinder contains specially shaped unlocking security pins that prevent opening by means of a lock pick.

### Pulling protection

The cylinder contains a special cylinder core which prevents the cylinder from being pulled out by drilling into the core.

\* this selection extends the delivery time