

„Two roles - double security“

With the ix TwinStar®, DOM once again demonstrates its comprehensive expertise in the field of mechanical locking technology. The new reversible key system is particularly well protected against unauthorised copying by a floating double roller in the key.

DOM ix Twinstar® is a secure locking system for all those looking for the highest quality. It meets the high requirements of VdS, DIN and SKG and can be used in residential buildings, offices or private companies. Thanks to a complex system - 11 spring-loaded locking elements, 10 of which are pin locking elements and 1 locking shaft locking element - it is suitable for private homes up to large buildings with high security standards.

Basic length

- from 30,5/10 mm
- up to max. 40,5/10 mm
- measured from the middle of cam
- extension in 5 mm steps

Technical characteristics

- high protection against manipulation due to 22-fold locking authorisation query
- anti-bumping & anti-picking pins
- drilling protection VdS B+ as standard
- up to 10 positively guided, solid profile control pins enable complex locking systems
- 11 spring-loaded locking elements made of special brass or hardened steel: 10 pin locking elements, 1 locking shaft locking element (controlled by a locking shaft function pin) offer high protection against manipulation against intelligent opening methods and impact protection
- consisting of 20 narrowed core and body pins
- axially spring-loaded and movable locking shaft technology
- stainless steel locking shaft is actuated by a control pin positioned in the core
- 13 mm core diameter
- one-piece cam made of sintered steel
- according to DIN EN 1303:2015-08, certified according to ISO 9001:2015
- locking security class 6, attack resistance class C according to DIN EN 1303
- patent protection until 2036
- 10 years DOM additional guarantee if registered under DOM

Execution

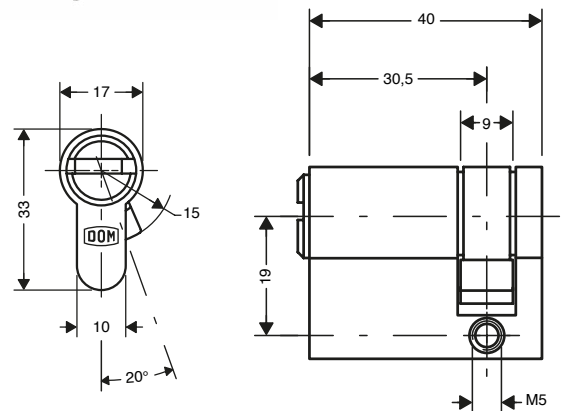
- cylinder body and cylinder core made of solid brass (high corrosion protection)
- finish: dull nickel
- reversible key system with horizontal key insertion
- cam 8-fold adjustable
- compatible with DOM electronics (made possible by integrating passive transponder technology into the key bow via clip tag)

Operational area

- for single- or multi-turn mortise locks and various other locks
- garage doors, key switches, activation devices, roller shutters
- airports, educational institutions, financial buildings, hotel buildings
- small to large office buildings/companies, industrial premises

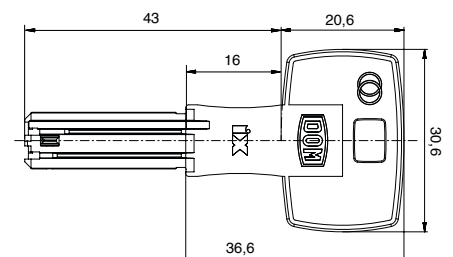
Scope of delivery

- half cylinder incl. 3 or more keys
- 1 fixing screw
- Security card



Key

- key thickness: 2,6 mm
- nickel silver reversible key: corrosion-free and low-wear
- active copy protection: 2 independently movable rollers in the key tip (patented), each with a spring-loaded active function query, make it difficult to make duplicate keys
- mobility detection of the rollers through labyrinth in the key channel
- key tip with ramp for pin locking elements
- trough bores with optimized angular cuts of the flank angles
- complex coding in the key with known high-ribbed technology make it difficult to make duplicate keys
- no key blanks available on the market
- key blade length adapted to all common safety fittings
- new key head design



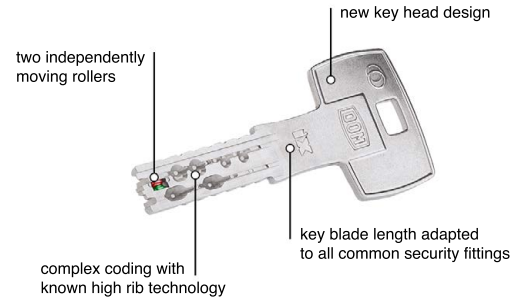
Technical details

Reversible key with patented movable double roller

It may look like a normal key, but the ix TwinStar is the pinnacle in the evolution of DOM keys. Every technology, innovation and patent for mechanical security ever developed by DOM engineers has resulted in this unique reversible key. It features more complex copy protection technologies integrated into the key and more pins for more security and possible combinations. It also offers the highest level of user-friendliness due to the reversible technology.

Twin caster

It only looks like a small wheel, but the double roller in the key of the DOM ix TwinStar is a really big deal. Not only does it make it almost impossible to copy the cylinder unless you have the right special tool, it also generates a large number of extra key combinations, making it a perfect addition to the security system. Best of all, it is still as easy to use as a regular reversible key.



Impact protection

The cylinder contains impact protection pins and other security elements that prevent access by impact keys to turn the inner pins.

Unlocking protection

The cylinder contains impact protection pins and other safety elements that prevent access by impact keys to turn the inner pins.

Pull protection

The cylinder contains a special cylinder core which prevents the cylinder from being pulled out by drilling into the core.