

DOM rs Sirius rim cylinder

„Reach for the stars and secure your future“

With the DOM rs Sirius you get a high standard of security at an attractive price. The high level of technical copy protection „starline“ ensures that no illegal copies of keys are made. In combination with the integrated, high-level drilling and pulling protection as well as the up to 19-fold locking authorisation query, any attempt at manipulation stands (almost) no chance. The rs Sirius cylinders and keys are patented until 2043.

Measurements

- case length: 27 mm
- mounting diameter: 32 mm
- drilling distance: 21 mm

Technical characteristics

- up to 19-fold locking authorisation query
- up to 6 spring-loaded locking elements made of special brass/hardened steel and up to 11 lateral control pins on each locking side
- technical key copy protection „starline“ (integrated on the key) with additional SL-function pin
- high level of manipulation protection
- patent protection until 2043 (pending)

Execution

- cylinder body: brass matt nickel-plated
- serrated key system
- vertical key insertion
- with rosette to cover
- compatible with DOM electronics (made possible by integrating passive transponder technology into the key bow via a clip tag)

Operational area

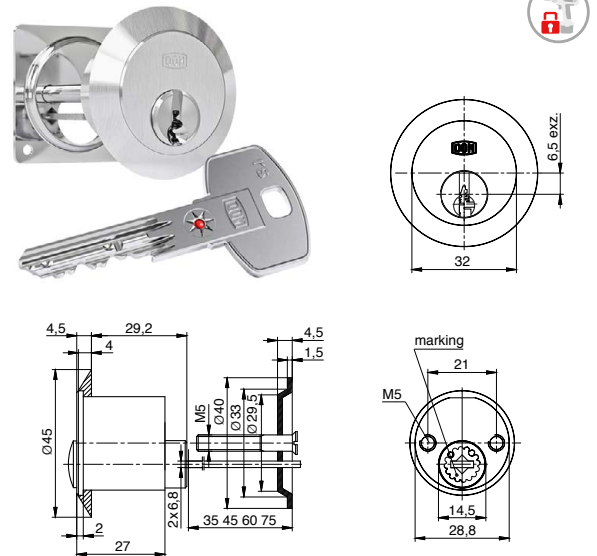
- external doors, additional box lock for front doors with increased security requirements
- for additional box locks
- execution for wooden doors (on request)
- suitable for DOM box lock with locking shackle 3019-03-2
- small to large companies
- complex locking systems, such as airports, financial buildings, residential buildings, hospitals, educational institutions

Scope of delivery

- rim cylinder incl. ordered keys
- rosette
- holding plate and 2 fixing screws
- Security card

Technical key copy protection „starline“

The rs Sirius locking cylinder offers a high level of security with its „Starline“ technical key copy protection and has excellent burglary protection thanks to its high level of drilling and pulling protection.



Key

- key thickness: 2,6 mm
- nickel silver serrated key: corrosion-free and low-wear
- ergonomically shaped
- extended key neck adapted to standard security fittings
- modern design with red coloured ball embedded in the key
- high level of key copy protection thanks to additional technical function query on the key, key catch in the case of manipulation
- compatible with DOM clip tag

