

**DOM** rs Sirius half cylinder

**„Reach for the stars and secure your future“**

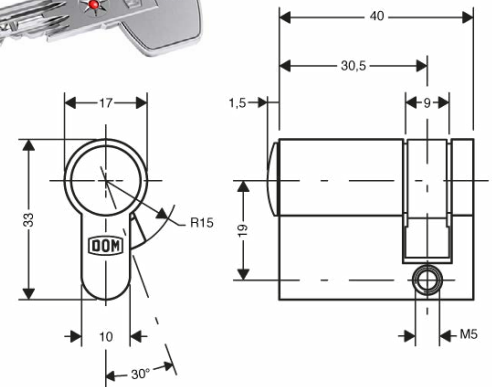
With the DOM rs Sirius you get a high standard of security at an attractive price. The high level of technical copy protection „starline“ ensures that no illegal copies of keys are made. In combination with the integrated, high-level drilling and pulling protection as well as the up to 19-fold locking authorisation query, any attempt at manipulation stands (almost) no chance. The rs Sirius cylinders and keys are patented until 2043.

**Basic length**

- from 30,5/10 mm
- cylinder protrusion: 1,5 mm
- measured from the middle of cam
- extension in 5 mm steps
- from 75,5/10 mm, production takes place in modular design

**Technical characteristics**

- up to 19-fold locking authorisation query
- up to 6 spring-loaded locking elements made of special brass/hardened steel and up to 11 lateral control pins on each locking side
- technical key copy protection „starline“ (integrated on the key) with additional SL-function pin
- carbide pins in the body + hardened steel pin in the core to protect against drilling
- as standard: high-grade drilling and pulling protection
- high level of manipulation protection
- certified according to DIN EN 1303 160B0C6C
- certified according to SKG\*\*
- patent protection until 2043 (pending)



**Execution**

- cylinder body: brass matt nickel-plated
- serrated key system
- vertical key insertion
- cam 8-fold adjustable
- compatible with DOM electronics (made possible by integrating passive transponder technology into the key bow via a clip tag)

**Options / Special equipment**

- different cylinder finishes (polished brass, oxidized bronze, matt black chrome) \*
- increased drilling protection
- seawater resistance (with this option ist the cylinder finish matt chrome) \*
- modular design (cannot be combined with freewheel function)
- freewheel (cannot be combined with modular design) \*\*

**Operational area**

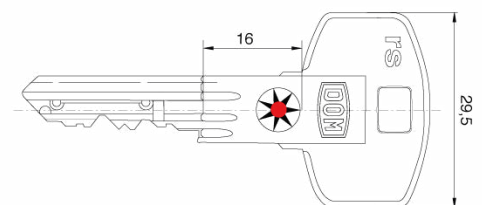
- for single or multi-turn mortise locks and various other locks
- garage doors, key-operated switches, arming devices, roller shutters (with side mounting)
- small to large companies
- complex locking systems, such as airports, financial buildings, residential buildings, hospitals, educational institutions

**Scope of delivery**

- half cylinder incl. ordered keys
- 1 fixing screw
- Security card

**Key**

- key thickness: 2,6 mm
- nickel silver serrated key: corrosion-free and low-wear
- ergonomically shaped
- extended key neck adapted to standard security fittings
- modern design with red coloured ball embedded in the key
- high level of key copy protection thanks to additional technical function query on the key, key catch in the case of manipulation
- compatible with DOM clip tag

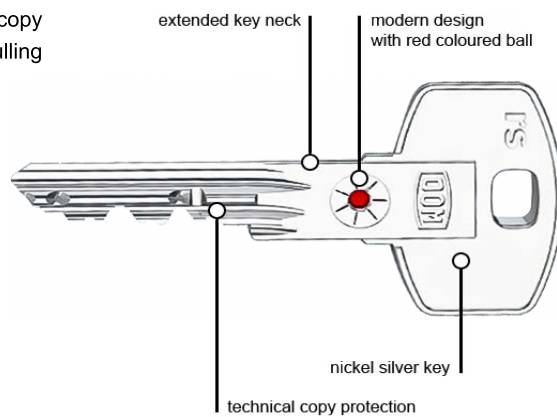


## Technical details

---

### Technischer Schlüsselkopierschutz „starline“

The rs Sirius locking cylinder offers a high level of security with its „Starline“ technical key copy protection and has excellent burglary protection thanks to its high level of drilling and pulling protection.



## Security

---

### Increased drilling protection (on both sides)

The cylinder already has a high level of drilling and pulling protection as standard.

Increased drilling and core pulling protection can be optionally selected using carbide pins arranged in several levels in the cylinder body and cylinder core. From 30/35 mm.

\* this selection extends the delivery time \*\* on request