

„Reach for the stars and secure your future“

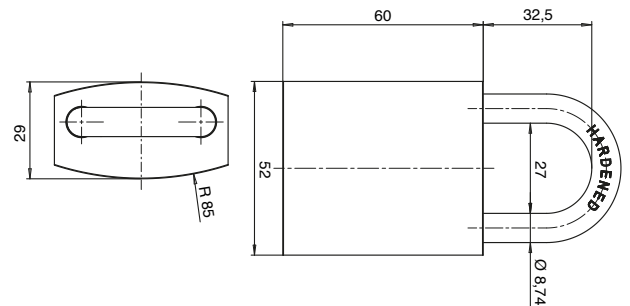
With the DOM rs Sirius you get a high standard of security at an attractive price. The high level of technical copy protection „starline“ ensures that no illegal copies of keys are made. In combination with the integrated, high-level drilling and pulling protection as well as the up to 19-fold locking authorisation query, any attempt at manipulation stands (almost) no chance. The rs Sirius cylinders and keys are patented until 2043.

Measurements

- clear shackle height: 32,5 mm (optional: 60 mm)
- shackle: Ø 8,74 mm
- case width: 52 mm

Technical characteristics

- up to 19-fold locking authorisation query
- up to 6 spring-loaded locking elements made of special brass/hardened steel and up to 11 lateral control pins on each locking side
- technical key copy protection „starline“ (integrated on the key) with additional SL-function pin
- carbide pins in the body + hardened steel pin in the core to protect against drilling
- as standard: high-grade drilling and pulling protection
- high level of manipulation protection
- forced locking (standard)
- certified according to DIN EN 1303 160B0C6C
- certified according to SKG**
- patent protection until 2043 (pending)



Execution

- cylinder: solid brass (high corrosion protection)
- padlock: solid brass, shackle: stainless steel
- finish: black chrome plated
- serrated key system
- vertical key insertion
- compatible with DOM electronics (made possible by integrating passive transponder technology into the key bow via clip tag)

Options / Special equipment

- different shackle heights (60 mm)
- self-locking (key can also be removed when open)

Operational area

- protection of medium to large valuables with a high risk of theft
- ideal for strong weather conditions (e.g. in sea and port areas)

Scope of delivery

- padlock incl. ordered keys
- Security card

Key

- key thickness: 2,6 mm
- nickel silver serrated key: corrosion-free and low-wear
- ergonomically shaped
- extended key neck adapted to standard security fittings
- modern design with red coloured ball embedded in the key
- high level of key copy protection thanks to additional technical function query on the key, key catch in the case of manipulation
- compatible with DOM clip tag

