

DORMAKABA expert plus benefits from a high level of security thanks to the sophisticated technology within the locking cylinder. DORMAKABA expert plus locking cylinders protect against the most common opening methods (picking and impact protection).

DORMAKABA expert plus cylinders are ergonomically correct reversible key systems, which means that the DORMAKABA reversible key is inserted vertically into the cylinder channel. The locking positions on each cylinder side are arranged in 4 rows radially around the key. The cylinder is thus reliably protected against illegal opening methods - even with modern tools.

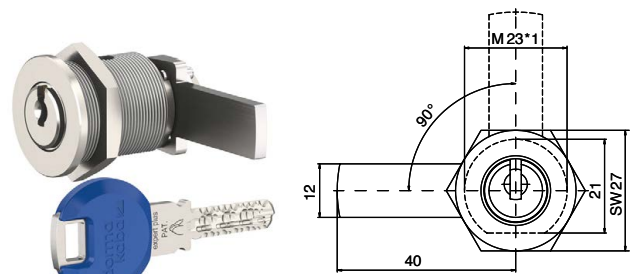
Measurements

- clamping dimension (standard closing lever): 25,5 mm
- installation depth: 35,7 mm
- mounting hole: Ø 23,4 mm lateral reduced to 21,4 mm
- thread length: 19 mm



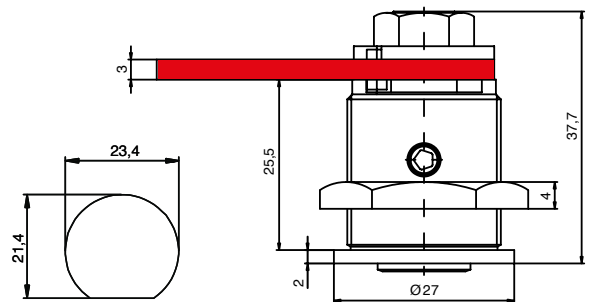
Technical characteristics

- technical and patent copy protection offer high key copy protection
- 4 radially arranged rows of hardened steel pins
- up to 22 pin pairs per cylinder side in several rows on 44 possible positions (over 907 billion possible lockings)
- spring-loaded pairs of locking elements made of hardened steel, chemically nickel plated
- high security against picking and the impact method
- 15 mm core diameter
- modular system design
- locking path: 90°
- patent protection until 2033



Execution

- ergonomically correct reversible key, i.e. the DORMAKABA reversible key is inserted vertically into the cylinder channel
- easy key insertion due to new design of the locking elements
- cylinder body: nickel plated brass
- closing lever: galvanised steel
- key can only be removed in locked position
- integration into electronic DORMAKABA locking systems with LEGIC clip possible at any time (retrofittable), mechanical lock remains unchanged



Options / Special equipment

- different closing lever variants (standard closing lever: 1061-6zk)
- Always indicate the desired locking path when ordering!
- long bow with and without key clip

Locking paths

- locking path A: closed on the left, open on the top
- locking path B: closed on the right, open on the top
- locking path E: closed on the top, open on the left
- locking path F: closed on the top, open on the right

Operational area

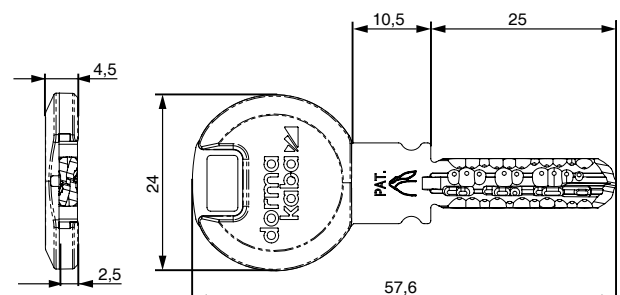
- letterbox systems, metal boxes, showcases etc.
- for left and right doors and drawers

Scope of delivery

- camlock cylinder BMZ 1031 incl. 2 or more keys
- standard closing lever 1061-6zk
- 1 fixing screw M23 x 1 mm
- Security card

Key

- key thickness: 2,5 mm
- reversible key made of high-quality nickel silver, low-wear
- reversible key that is technically difficult to copy
- the new coding on the tip of the key cannot be produced with conventional key cutting machines; if the coding is missing, a key cannot be inserted or turned
- high breaking resistance
- 3 different key types, standard key: smartkey (optional largekey, long bow)
- colour clip standard: dark blue (selectable from 12 colours)



Technical details

Reversible key that is technically difficult to copy

The reversible key is technically difficult to copy. The keys are not coded by drilling, but by a special milling process that conceals the position of the coding on the key. The key is made of nickel silver and is highly resistant to breaking, has excellent sliding properties and lowest wear. New design of the locking elements allow the key to slide even more easily into the key channel.

High security against picking and the impact method

With the rapido method, conventional locking cylinders can be opened - without leaving any traces - with a specially made key and a hammer. The DORMAKABA expert plus system is protected against this.

DORMAKABA modular

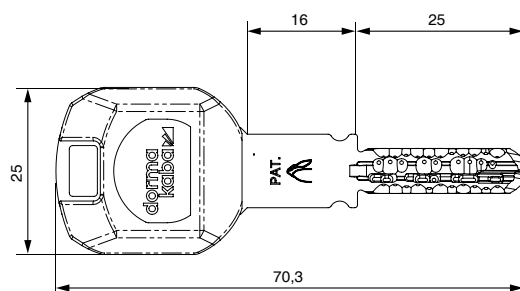
The DORMAKABA modular system allows cylinders to be converted to other lengths or even other cylinder shapes on site with little effort. The locking system remains intact. The inserted cylinder cores (inserts) can easily be used in other cylinder designs (half cylinders, knob cylinders, camlock cylinders, etc.).

Standard drilling protection

The standard drilling protection is achieved by standard hardened steel locking elements and a hardened insert fixing screw.

Largekey (clip and long bow)

- long key bow with extended key neck
- colour clip standard: dark blue (selectable from 12 colors)
- when using e.g. protective fittings with core pulling protection rosette



Long bow (armour bow)

- reversible key with armour bow
- when using e.g. security fittings with core pulling protection rosette and multiple locking systems

