

Premium IKON patented and paracentric triangular profile in system SK6 with 6 active spring-loaded pin locking elements according to DIN EN 1303 and DIN 18252. This profile is based on a long-term patent, which has been developed especially to counteract current and established illegal key-copying techniques, which it impedes to a very high degree. On the key shaft there are triangular profile grooves located on both sides which, due to their special arrangement in the area of the notches of the key, offer not only legal but also increased technical key copying protection.

Measurements

- mounting diameter: 29 mm
- rosette: Ø 46 mm
- case length: 27,5 mm
- for door thicknesses from 35 to max. 95 mm

Technical characteristics

- 6 active spring-loaded pin locking elements for locking security
- paracentric key profile ensures unlocking security
- standard drilling protection due to the hardened cylinder body pin and the first set of steel pins
- high protection against picking and bumping due to special profile design and pin combination
- high level of protection against the burglary method of core pulling due to the clawed cam made of sturdy nickel silver

Execution

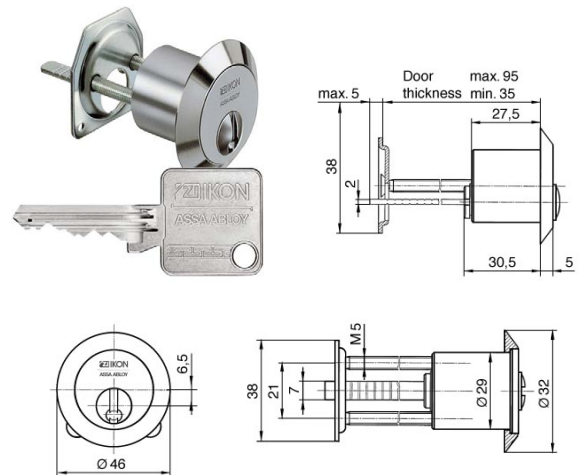
- conventional locking system
- vertical key insertion
- cylinder body: brass matt nickel plated
- is screwed to a separate mounting plate from the inside with two M5 screws
- combination with electronic possible at any time using transponder key, also as subsequent extension

Operational area

- garage locks, bar locks, can be combined with case locks, private houses and apartments, office and commercial areas

Scope of delivery

- rim cylinder (type Z050) incl. 3 or more keys
- 2 screws M5 x 30
- 1 screw-on plate
- 1 support ring
- Security card



Key

- key thickness: 3 mm
- serrated key
- high-quality and stable nickel silver key with square metal bow
- 13 mm key neck for all standard protective fittings and rosettes
- triangular profile grooves on both long sides of the key provide increased technical protection against key copying