

Premium IKON patented and paracentric triangular profile in system SK6 with 6 active spring-loaded pin locking elements according to DIN EN 1303 and DIN 18252. This profile is based on a long-term patent, which has been developed especially to counteract current and established illegal key-copying techniques, which it impedes to a very high degree. On the key shaft there are triangular profile grooves located on both sides which, due to their special arrangement in the area of the notches of the key, offer not only legal but also increased technical key copying protection.

Measurements

- installation depth: 38 mm
- body length: 29 mm
- clamping dimension (SLHB 1645009): 30 mm
- cylinder front: Ø 34 mm
- mounting hole: Ø 30,4 mm lateral reduced to 22,4 mm

Technical characteristics

- 6 active, spring-loaded pin locking elements for locking security
- paracentric key profile ensures unlocking security
- standard drilling protection due to the hardened cylinder body pin and the first set of steel pins
- high protection against picking and bumping due to special profile design and pin combination
- high level of protection against the burglary method of core pulling due to the clawed cam made of sturdy nickel silver
- standard closing lever (SLHB = 1645009)

Execution

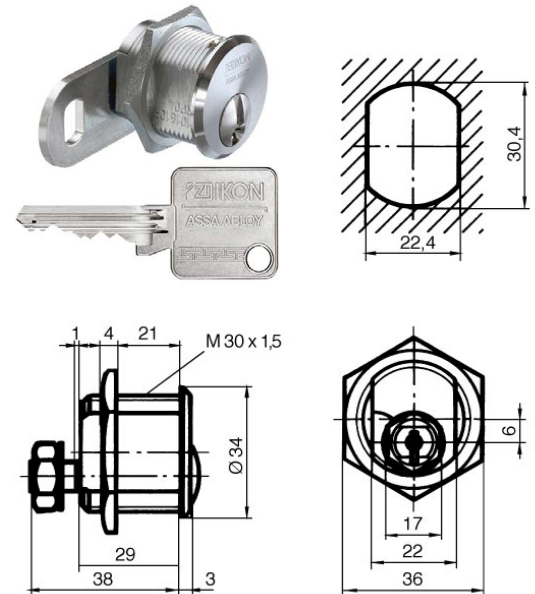
- conventional locking system
- vertical key insertion
- cylinder body: brass matt chrome plated
- locking path and closing lever path 90° left or right
- key removal with closed closing lever
- combination with electronic possible at any time using transponder key, also as subsequent extension

Operational area

- letter boxes, tin cabinets, lockers

Scope of delivery

- camlock cylinder (type Z320, AUS = 1) incl. 2 or more keys
- mounting with housing nut M30 x 1,5 x 4
- core nut M10 x 0,75 x 3
- Security card



Key

- key thickness: 3 mm
- serrated key
- high-quality and stable nickel silver key with square metal bow
- 13 mm key neck for all standard protective fittings and rosettes
- triangular profile grooves on both long sides of the key provide increased technical protection against key copying