

Premium IKON patented and paracentric triangular profile in system SK6 with 6 active spring-loaded pin locking elements according to DIN EN 1303 and DIN 18252. This profile is based on a long-term patent, which has been developed especially to counteract current and established illegal key-copying techniques, which it impedes to a very high degree. On the key shaft there are triangular profile grooves located on both sides which, due to their special arrangement in the area of the notches of the key, offer not only legal but also increased technical key copying protection.

Basic length

- from 30/30 mm
- short cylinder: from 28/30 mm up to max. 28/45 mm
- measured from the middle of the cam
- extension 5 mm per side

Technical characteristics

- 6 active, spring-loaded pin locking elements for relocking security
- paracentric key profile ensures unlocking security
- standard drilling protection due to the hardened cylinder body pin and the first set of steel pins
- high protection against picking and bumping due to special profile design and pin combination
- high level of protection against the burglary method of core pulling due to the clawed cam made of sturdy nickel silver
- tested according to DIN EN 1303, DIN 18252

Execution

- conventional locking system
- vertical key insertion
- cylinder body: brass matt nickel plated
- standard cam position (SST = 30°), other cam positions on request
- combination with electronic possible at any time by means of a transponder key, also as a subsequent extension

Options / Special equipment

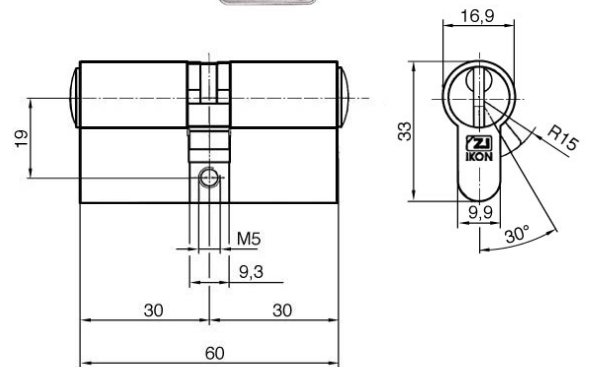
- increased drilling protection class 1 (AB = 1)
- increased drilling protection class 2 (AB = 2)
- emergency and danger function
- low-wear version
- freewheel (on request)

Operational area

- front doors, connecting doors, office doors, interior doors, exterior doors, apartment doors, gates, wooden doors, aluminium doors, tubular frame doors, etc.

Scope of delivery

- double cylinder (type Z531) incl. 3 or more keys
- 1 fixing screw M5 x 85 mm
- Security card



Key

- key thickness: 3 mm
- serrated key
- high-quality and stable nickel silver key with square metal bow
- 13 mm key neck for all standard protective fittings and rosettes
- triangular profile grooves on both long sides of the key provide increased technical protection against key copying

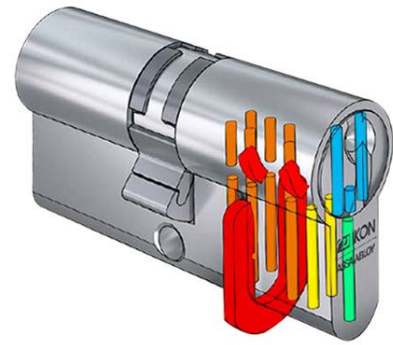
Security options

Standard drilling protection (AB = 1)

- for medium safety requirements
- the first pair of pins made of steel
- one carbide pin in the cylinder body is combined with several carbide elements in the cylinder core

Increased drilling protection class 2 (AB = 2)

- for increased security requirements
- increased protection against drilling due to additional hard metal pins in the cylinder core and cylinder body



- **AB=0** standard drilling protection (green)
- **AB=1** increased drilling protection (green + blue)
- **AB=2** strong drilling protection (green + blue + yellow)
- **AB=3** high drilling protection (green + blue + yellow + orange)
- **AB=KS** high drilling protection and core picking protection (green + blue + yellow + orange + red)

** on request