

Premium IKON patented and paracentric triangular profile in system SK6 with 6 active spring-loaded pin locking elements according to DIN EN 1303 and DIN 18252. This profile is based on a long-term patent, which has been developed especially to counteract current and established illegal key-copying techniques, which it impedes to a very high degree. On the key shaft there are triangular profile grooves located on both sides which, due to their special arrangement in the area of the notches of the key, offer not only legal but also increased technical key copying protection.

## Basic length

- from 30/10 mm
- measured from the middle of cam
- extension in 5 mm steps

## Technical characteristics

- 6 active spring-loaded pin locking elements for locking security
- paracentric key profile ensures unlocking security
- standard drilling protection due to the hardened cylinder body pin and the first set of steel pins
- high protection against picking and bumping due to special profile design and pin combination
- high level of protection against the burglary method of core pulling due to the clawed cam made of sturdy nickel silver
- tested according to DIN EN 1303, DIN 18252

## Execution

- conventional locking system
- vertical key insertion
- cylinder body: brass matt nickel plated
- standard cam position 90° left, other cam positions on request
- cam adjustable in 45° angle 8-fold
- combination with electronic possible at any time using transponder key, also as subsequent extension

## Options / Special equipment

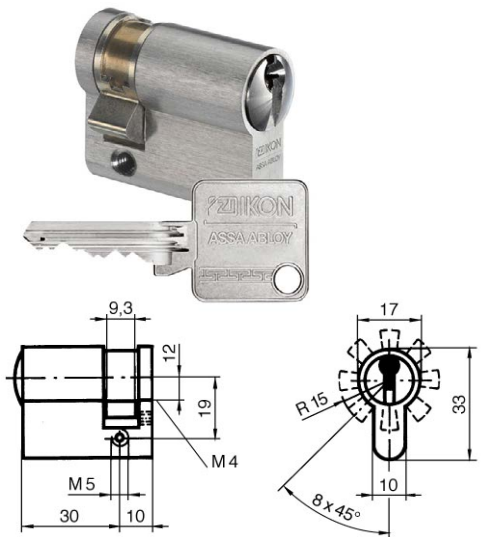
- increased drilling protection class 1 (AB = 1)
- increased drilling protection class 2 (AB = 2)
- low-wear version
- freewheel (on request)

## Operational area

- connecting doors, office doors, interior doors, basement doors, garage doors, etc.

## Scope of delivery

- half cylinder (type Z532) incl. 3 or more keys
- 1 fixing screw M5 x 85 mm
- Security card



## Key

- key thickness: 3 mm
- serrated key
- high-quality and stable nickel silver key with square metal bow
- 13 mm key neck for all standard protective fittings and rosettes
- triangular profile grooves on both long sides of the key provide increased technical protection against key copying

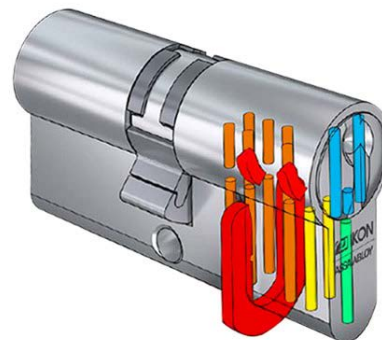
## Security options

### Standard drilling protection (AB = 1)

- for medium safety requirements
- the first pair of steel pins
- a hard metal pin in the cylinder body is combined with several elements of hard metal in the cylinder core

### Increased drilling protection class 2 (AB = 2)

- for increased security requirements
- reinforced drilling protection through additional carbide pins in the cylinder core and cylinder body



- **AB=0** standard drilling protection (green)
- **AB=1** increased drilling protection (green + blue)
- **AB=2** strong drilling protection (green + blue + yellow)
- **AB=3** high drilling protection (green + blue + yellow + orange)
- **AB=KS** high drilling protection and core picking protection (green + blue + yellow + orange + red)