

Premium IKON patented and paracentric triangular profile in system SK6 with 6 active spring-loaded pin locking elements according to DIN EN 1303 and DIN 18252. This profile is based on a long-term patent, which has been developed especially to counteract current and established illegal key-copying techniques, which it impedes to a very high degree. On the key shaft there are triangular profile grooves located on both sides which, due to their special arrangement in the area of the notches of the key, offer not only legal but also increased technical key copying protection.

## Measurements

- standard clear shackle height: 25 mm
- shackle: Ø 8 mm
- case width: 48 mm

## Technical characteristics

- 6 active spring-loaded pin locking elements for locking security
- paracentric key profile ensures unlocking security
- standard drilling protection due to the hardened cylinder body pin and the first set of steel pins
- high protection against picking and bumping due to special profile design and pin combination
- high level of protection against the burglary method of core pulling due to the clawed cam made of sturdy nickel silver

## Execution

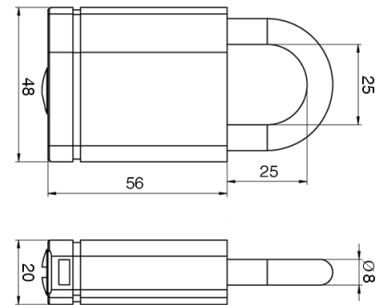
- conventional locking system
- vertical key insertion
- cylinder: brass matt nickel plated
- padlock: brass chrome plated
- steel shackle hardened and chrome plated
- combination with electronic possible at any time using transponder key, also as subsequent extension

## Operational area

- wardrobe systems, basement boxes, wardrobe cabinets

## Scope of delivery

- padlock (type Z316) incl. 2 or more keys
- Security card



## Key

- key thickness: 3 mm
- serrated key
- high-quality and stable nickel silver key with square metal bow
- 13 mm key neck for all standard protective fittings and rosettes
- triangular profile grooves on both long sides of the key provide increased technical protection against key copying