

SK6 flat profile Vector FP04 is a high-quality IKON profile in special class SK6 with 6 active spring-loaded pin locking elements. This profile is based on a patent, which was specially developed as a measure against current and common opening techniques and makes them very difficult. The profile FP04 is designed as a paracentric profile and optionally has certifications according to DIN, VdS.

Measurements

- mounting diameter: 29 mm
- rosette: \varnothing 46 mm
- case length: 27,5 mm
- for door thicknesses from 35 to max. 95 mm

Technical characteristics

- 6 active spring-loaded pin locking elements for locking security
- paracentric key profile ensures unlocking security
- drilling protection class 1 (AB = 1) standard
- high protection against picking due to special profile design and pin combination
- core pins made of wear-resistant special bronze
- crowned cylinder core head with reinforced key insertion
- for door thicknesses from 35 to max. 95 mm
- protected key profile with security card

Execution

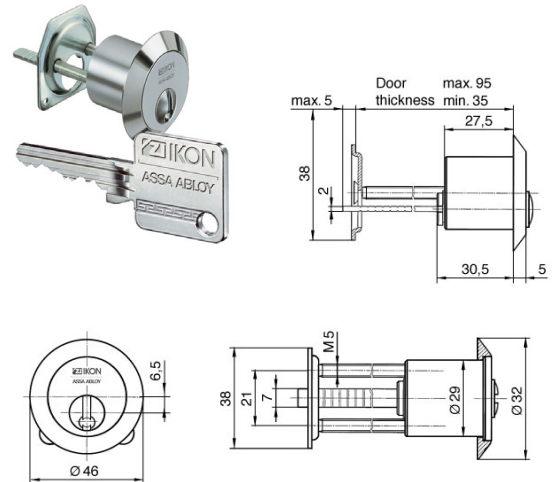
- conventional locking system
- vertical key insertion
- cylinder body: brass matt nickel plated
- is screwed to a separate mounting plate from the inside with two M5 screws
- combination with electronics possible at any time using transponder key, also as subsequent extension

Operational area

- garage locks, bar locks, can be combined with case locks
- private houses and apartments
- office and commercial areas

Scope of delivery

- rim cylinder (type Z050) incl. 3 or more keys
- 2 screws M5 x 30
- 1 screw-on plate
- 1 support ring
- Security card



Key

- key thickness: 3,6 mm
- nickel silver serrated key with square metal bow
- optional with coloured pins: these can indicate the assignment (e.g. locking authorisations) of the keys, simplifying key management

