

# PRODUCT DATA SHEET

**sullus**<sup>®</sup>  
security systems



## SK6 flat profile Vector FP04 double cylinder

SKU IK.SK6.FP04.DZ.Z531

Producer No. SK6 Z531

SK6 flat profile Vector FP04 is a high-quality IKON profile in special class SK6 with 6 active spring-loaded pin locking elements. This profile is based on a patent, which was specially developed as a measure against current and common opening techniques and makes them very difficult. The profile FP04 is designed as a paracentric profile and optionally has certifications according to DIN, VdS.

### Basic length

- from 30/30 mm
- short cylinders from 28/30 mm to max. 28/45 mm
- measured from the middle of the cam
- extension 5 mm per side

### Technical characteristics

- 6 active spring-loaded pin locking elements for locking security
- paracentric key profile ensures unlocking security
- drilling protection class 1 (AB = 1) standard
- high protection against picking due to special profile design and pin combination
- emergency and danger function as standard (lockable on both sides)
- core pins made of wear-resistant special bronze
- crowned cylinder core head with reinforced key insertion
- cam made of break-proof, corrosion-resistant nickel silver profile
- tested according to DIN EN 1303, DIN 18252
- protected key profile with security card

### Execution

- conventional locking system
- vertical key insertion
- cylinder body: satin nickel plated brass
- standard cam position (SST = 30°), other cam positions on request
- combination with electronics possible at any time using transponder key, also as subsequent extension

### Options / Special equipment

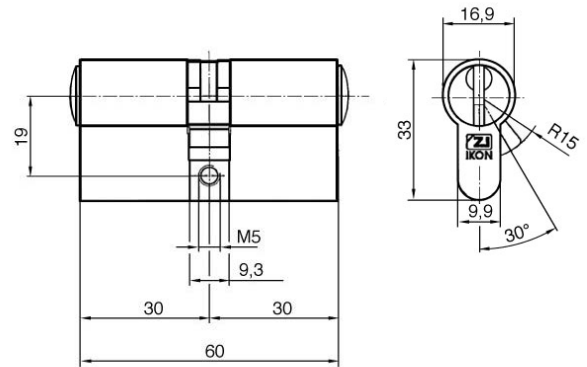
- different cylinder finishes
- increased drilling protection class 2 (AB = 2)
- increased drilling protection class 3 (AB = 3)
- weather protection
- freewheel \*\*

### Operational area

- front doors, connecting doors, office doors, interior doors, exterior doors, apartment doors, gates, wooden doors, aluminium doors, tubular frame doors, etc.
- private houses and apartments
- office and commercial areas

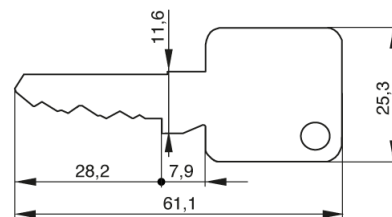
### Scope of delivery

- double cylinder (type Z531) incl. 3 or more keys
- 1 fixing screw M5 x 85 mm
- Security card



### Key

- key thickness: 3,6 mm
- serrated key made of nickel silver with square metal bow
- optionally with coloured pins: these can indicate the allocation (e.g. locking authorisations) of the keys, simplifies key management



## Security options

### Standard drilling protection (AB = 1)

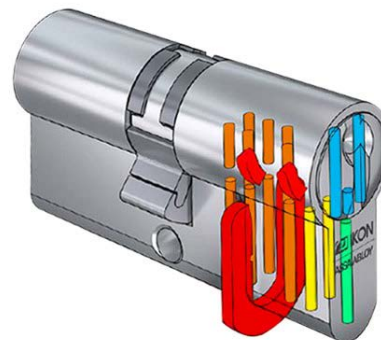
- for medium safety requirements
- the first pair of pins made of steel
- one carbide pin in the cylinder body is combined with several carbide elements in the cylinder core

### Increased drilling protection class 2 (AB = 2)

- for increased security requirements
- increased protection against drilling due to additional hard metal pins in the cylinder core and cylinder body

### Increased drilling protection class 3 (AB = 3)

- for high security requirements
- drilling protection in the cylinder core and cylinder body from a combination of several special elements made of hard metal



- **AB=0** standard drilling protection (green)
- **AB=1** increased drilling protection (green + blue)
- **AB=2** strong drilling protection (green + blue + yellow)
- **AB=3** high drilling protection (green + blue + yellow + orange)
- **AB=KS** high drilling protection and core picking protection (green + blue + yellow + orange + red)

\*\* on request