

PRODUCT DATA SHEET

sullus[®]
security systems



SK6 flat profile Vector FP04 half cylinder

SKU IK.SK6.FP04.HZ.Z532

Producer No. SK6 Z532

SK6 flat profile Vector FP04 is a high-quality IKON profile in special class SK6 with 6 active spring-loaded pin locking elements. This profile is based on a patent, which was specially developed as a measure against current and common opening techniques and makes them very difficult. The profile FP04 is designed as a paracentric profile and optionally has certifications according to DIN, VdS.

Basic length

- from 30/10 mm
- measured from the middle of cam
- extension in 5 mm steps

Technical characteristics

- 6 active spring-loaded pin locking elements for locking security
- paracentric key profile ensures unlocking security
- drilling protection class 1 (AB = 1) standard
- high protection against picking due to special profile design and pin combination
- core pins made of wear-resistant special bronze
- crowned cylinder core head with reinforced key insertion
- cam made of break-proof, corrosion-resistant nickel silver profile
- tested according to DIN EN 1303, DIN 18252
- protected key profile with security card

Execution

- conventional locking system
- vertical key insertion
- cylinder body: brass matt nickel plated
- standard cam position 90° left, other cam positions on request
- cam adjustable in 45° angle 8-fold
- combination with electronics possible at any time using transponder key, also as subsequent extension

Options / Special equipment

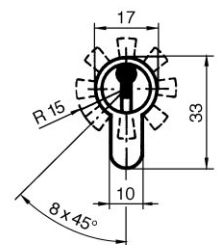
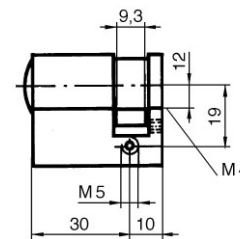
- different cylinder finishes
- increased drilling protection class 2 (AB = 2)
- increased drilling protection class 3 (AB = 3)
- weather protection

Operational area

- connecting doors, office doors, interior doors, basement doors, garage doors, etc.
- private houses and apartments
- office and commercial areas

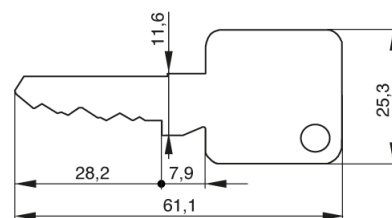
Scope of delivery

- half cylinder (type Z532) incl. 3 or more keys
- 1 fixing screw M5 x 85 mm
- Security card



Key

- key thickness: 3,6 mm
- nickel silver serrated key with square metal armour bow
- optional with colour pins: these can indicate the assignment (e.g. locking authorisations) of the keys, simplifying key management



Security options

Standard drilling protection (AB = 1)

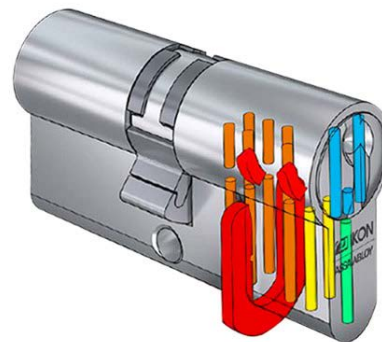
- for medium safety requirements
- the first pair of steel pins
- a hard metal pin in the cylinder body is combined with several elements of hard metal in the cylinder core

Increased drilling protection class 2 (AB = 2)

- for increased security requirements
- reinforced drilling protection through additional carbide pins in the cylinder core and cylinder body

Increased drilling protection class 3 (AB = 3)

- for high security requirements
- drilling protection in the cylinder core and cylinder body consisting of a combination of several special elements made of hard metal



- **AB=0** standard drilling protection (green)
- **AB=1** increased drilling protection (green + blue)
- **AB=2** strong drilling protection (green + blue + yellow)
- **AB=3** high drilling protection (green + blue + yellow + orange)
- **AB=KS** high drilling protection and core picking protection (green + blue + yellow + orange + red)