

SK6 flat profile Vector FP04 is a high-quality IKON profile in special class SK6 with 6 active spring-loaded pin locking elements. This profile is based on a patent, which was specially developed as a measure against current and common opening techniques and makes them very difficult. The profile FP04 is designed as a paracentric profile and optionally has certifications according to DIN, VdS.

Measurements

- standard clear shackle height: 25 mm
- shackle: \varnothing 8 mm
- case width: 48 mm

Technical characteristics

- 6 active spring-loaded pin locking elements for locking security
- paracentric key profile ensures unlocking security
- high protection against picking due to special profile design and pin combination
- core pins made of wear-resistant special bronze
- crowned cylinder core head with reinforced key insertion
- with forced closure
- standard according to DIN EN 12320 class 3 (does not apply to AUS = LH28/5)
- protected key profile with security card

Execution

- conventional locking system
- vertical key insertion
- padlock: brass chrome plated
- cylinder: brass matt nickel plated
- steel shackle hardened and chrome plated
- combination with electronics possible at any time using transponder key, also as subsequent extension

Options / Special equipment

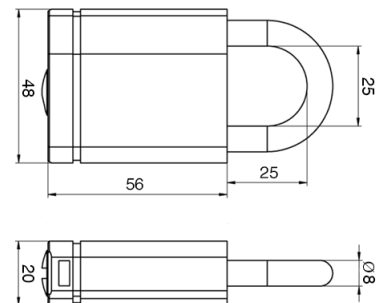
- different shackle heights

Operational area

- wardrobe systems, basement boxes, wardrobe cabinets
- private houses and apartments
- office and commercial areas

Scope of delivery

- padlock (type Z316) incl. 2 or more keys
- Security card



Key

- key thickness: 3,6 mm
- nickel silver serrated key with square metal armour bow
- optional with colour pins: these can indicate the allocation (e.g. locking authorisations) of the keys, simplifying the management of the keys

