

The ISEO System CSR R9 Country is a protected and registered reversible key profile. The profile cylinders have drilling protection in the body and core, the core pins are made of stainless steel. The cylinder has a body pulling protection. The nickel silver reversible keys are corrosion-free, wear-resistant, easy to handle and offer good locking convenience.

Key blanks from the CSR R9 Country profile series are not freely available in the trade.

## Measurements

- mounting diameter: 35 mm

## Technical characteristics

- 9-pin system
- 2 rows of pins (one bottom and one side)
- drilling protection in body and core (two hardened pins and a hardened ball in the core, one hardened pin in front of the pin row in the body)
- stainless steel core pins
- profile pin for querying the trademark protection
- for door thicknesses up to max. 85 mm

## Execution

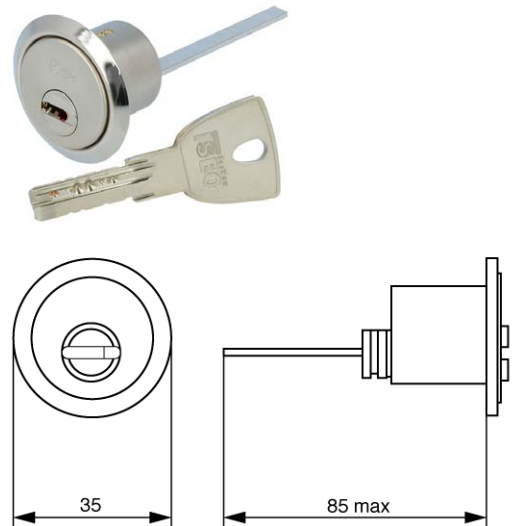
- reversible key system
- horizontal key insertion
- cylinder body: matt nickel plated

## Operational area

- backset 35 mm for screw-on locks
- indoor and outdoor areas
- in conjunction with DIN mortise locks
- private houses and apartments
- office and commercial areas

## Scope of delivery

- rim cylinder / round cylinder (type RZ R9N) incl. 3 or more keys
- Security card



## Key

- key thickness: 3 mm
- reversible key made of nickel silver
- corrosion-free, low-wear
- easy to handle and good closing comfort
- extended key neck
- key profile is protected and registered, no key blanks freely available in the trade

