

The ISEO System CSR R9 Country is a protected and registered reversible key profile. The profile cylinders have drilling protection in the body and core, the core pins are made of stainless steel. The cylinder has a body pulling protection. The nickel silver reversible keys are corrosion-free, wear-resistant, easy to handle and offer good locking convenience.

Key blanks from the CSR R9 Country profile series are not freely available in the trade.

Basic length

- from 28/28 mm
- max. up to 28/45 mm
- measured from the middle of cam
- extension in 5 mm steps

Technical characteristics

- 9-pin system
- 2 rows of pins (one bottom and one side)
- drilling protection in body and core (two hardened pins and a hardened ball in the core, one hardened pin in front of the pin row in the body)
- body pulling protection with pulling clasp
- stainless steel core pins
- profile pin for querying the trademark protection

Execution

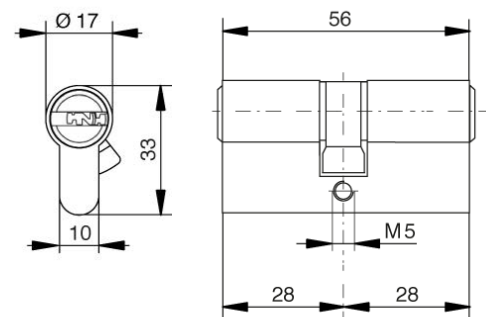
- reversible key system
- horizontal key insertion
- cylinder body: matt nickel plated

Operational area

- front doors, connecting doors, office doors, interior doors, exterior doors, apartment doors, gates, wooden doors, aluminium doors, tubular frame doors, etc.
- private houses and apartments
- office and commercial areas

Scope of delivery

- double cylinder short (type PZ R9N) incl. 3 or more keys
- 1 fixing screw
- Security card



Key

- key thickness: 3 mm
- reversible key made of nickel silver
- corrosion-free, low-wear
- easy to handle and good closing comfort
- extended key neck
- key profile is protected and registered, no key blanks freely available in the trade

