

The ISEO System CSR R9 Country is a protected and registered reversible key profile. The profile cylinders have drilling protection in the body and core, the core pins are made of stainless steel. The cylinder has a body pulling protection. The nickel silver reversible keys are corrosion-free, wear-resistant, easy to handle and offer good locking convenience.

Key blanks of the CSR R9 Country profile series are not freely available in the trade.

The TITALIUM™ padlocks from security expert ABUS mark a new dimension in security! Manufactured from an innovative material, they stand for high security with a greatly reduced weight.

Measurements

- standard shackle height: 32,5 mm
- shackle: Ø 8 mm
- case width: 46,5 mm
- length half cylinder: 30/10 mm

Technical characteristics

- 9-pin system
- 2 rows of pins (one bottom and one side)
- drilling protection in the body and core (two hardened pins and a hardened ball in the core, one hardened pin in front of the pin row in the body)
- pulling protection with pulling clasp
- stainless steel core pins
- profile pin for querying the trademark protection

Execution

- reversible key system
- horizontal key insertion
- solid lock body made of TITALIUM™, special aluminium - high security at low weight
- cylinder body: matt nickel plated
- with hardened steel shackle with special NANO protect coating for very high corrosion protection
- key can only be removed when closed, positively locked by locking path
- shackle locked on both sides

Options / Special equipment

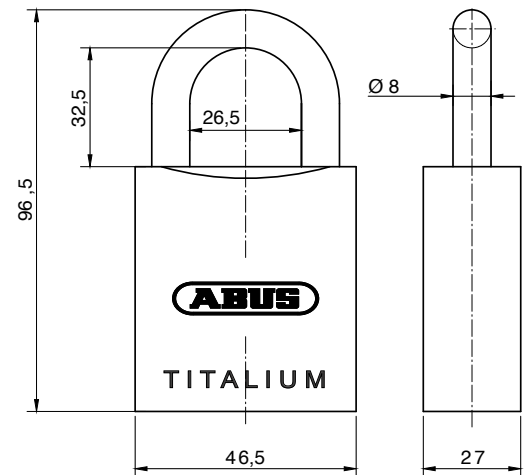
- different shackle height (39,5 mm = 86TI/55)
- 86TI/55: forced locking or automatic locking (depending on the position of the locking cam)
- 86TI/55: forced locking with 45° position of cam, automatic locking with 25° position of cam

Operational area

- indoor, conditionally for outdoor usage
- simple doors that are locked with a latch
- roller shutters, cabinet systems, barrier fences
- cellar and lattice boxes, sheds, chain lock, etc.
- private houses and apartments
- office and commercial areas

Scope of delivery

- ABUS padlock 86TI/45 with ISEO half cylinder (type HZ R9N) incl. 3 or more keys
- Security card (ISEO)



Key

- key thickness: 3 mm
- reversible key made of nickel silver
- corrosion-free, low-wear
- easy to handle and good closing comfort
- extended key neck
- key profile is protected and registered, no key blanks freely available in the trade

