

ISEO GERA WS is a reversible key profile. The large number of profile variants in combination with 6 locking authorisation queries via the pin system offers a high degree of security against unauthorised re-locking. The nickel silver reversible keys are corrosion-free, low-wear, easy to handle and offer good locking convenience.

Key blanks of the profile series GERA WS are not freely available in the trade.

## Basic length

- from 26/30 mm
- max. up to 26/45 mm
- measured from the middle of cam
- extension in 5 mm steps

## Technical characteristics

- 6 pairs of locking elements
- core pins made of special brass
- standard drilling protection (ABS/A): two hardened dowel pins each in the core and in the body, on one side and on the outside of the cylinder
- according to DIN 18252/DIN EN 1303 class P3 (cylinders are marked with quality mark and register number)
- with trademark protection

## Execution

- reversible key system
- horizontal key insertion
- cylinder body: matt nickel plated

## Options / Special equipment

- increased drilling protection

## Operational area

- front doors, connecting doors, office doors, interior doors, exterior doors, apartment doors, gates, wooden doors, aluminium doors, tubular frame doors, etc.
- private houses and apartments
- office and commercial areas

## Scope of delivery

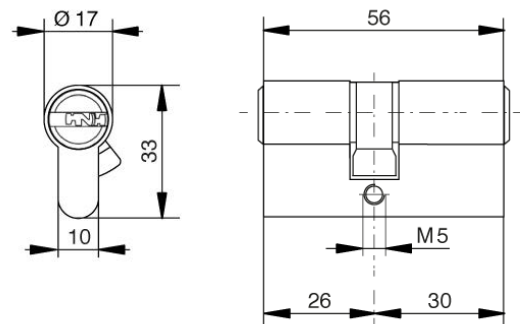
- double cylinder (type 4551) incl. 3 or more keys
- 1 fixing screw M5
- Security card

## Drilling protection (ABS/A)

- two hardened dowel pins each in the core and in the body
- on one side and on the outside of the cylinder

## Increased drilling protection (ABS/E)

- two hardened cylindrical pins in the core and one carbide pin in the core above the profile as well as two carbide pins in the body
- 1. and 2. pair of pins with hardened steel core or hardened steel
- on one side and on the outside of the cylinder



## Key

- key thickness: 3 mm
- reversible key made of nickel silver
- corrosion-free, low-wear
- easy to handle and good closing comfort
- no key blanks freely available on the market

