

ISEO GERA WS-MC is a magnetically coded reversible key system with security card. This system fulfils high security requirements thanks to the standard drilling protection and the 6-fold locking authorisation query. A special feature here is the active springless pin, which is only activated by the magnet in the key. The permanent magnet provides additional security against unauthorised key copies. The reversible keys made of nickel silver are corrosion-free, low-wear, easy to handle and offer good locking comfort.

Key blanks of the profile series GERA WS-MC are not freely available in the trade.

Measurements

- case length: 27,5 mm
- mounting diameter: 30 mm
- drilling distance: 20,5 mm

Technical characteristics

- 5 pin locking elements made of wear-resistant special brass
- 1 additional active springless pin activated by permanent magnet in the key
- 3 hardened cylinder pins in the core and 2 hardened cylinder pins in the body
- 2 intersecting ribs in the centre of the core (paracentric profile)
- 2 anti-picking pins in the cylinder core
- with trademark protection
- Observe the installation position to ensure that the magnet functions correctly.

Execution

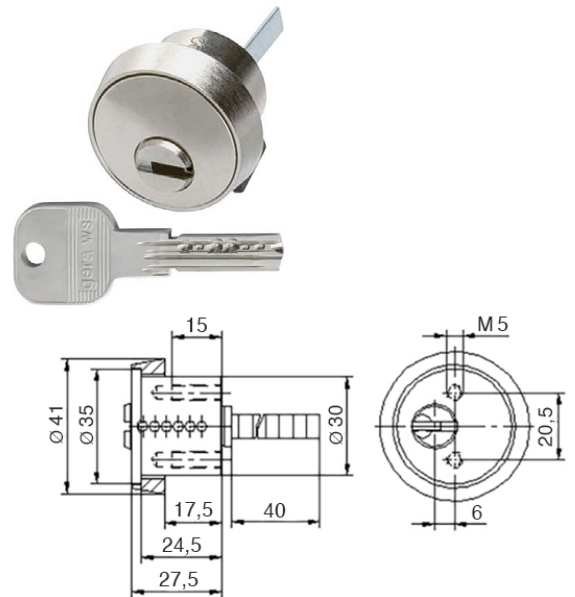
- reversible key system
- horizontal key insertion
- cylinder body: brass matt nickel-plated
- 2 magnets (1 magnet per key side)

Operational area

- indoor and outdoor areas, in conjunction with DIN mortise locks

Scope of delivery

- rim cylinder incl. 3 or more keys
- Security card



Key

- key thickness: 3,6 mm
- reversible key made of nickel silver
- horizontal key insertion
- with permanent magnet
- corrosion-free, low-wear
- easy to handle and good closing comfort
- no key blanks freely available on the market
- optionally: key with colour pin

