

ISEO GERA WS is a reversible key profile. The large number of profile variants in combination with 6 locking authorisation queries via the pin system offers a high degree of security against unauthorised re-locking. The nickel silver reversible keys are corrosion-free, low-wear, easy to handle and offer good locking convenience.

Key blanks of the profile series GERA WS-MC are not freely available in the trade.

Measurements

- clamping dimension (standard closing lever): 25 mm
- installation depth: 30,5 mm
- cylinder front: Ø 28 mm
- mounting hole: Ø 25,1 mm lateral reduced to 20,3 mm

Technical characteristics

- 6 pairs of locking elements
- core pins made of special brass
- locking path: 90°
- cylinder is manufactured without magnet
- with trademark protection

Execution

- reversible key system
- horizontal key insertion
- cylinder body: matt nickel plated
- key can only be removed when closed
- locking by closing lever

Options / Special equipment

- different closing lever variants
- Always indicate the desired locking path when ordering!

Locking paths

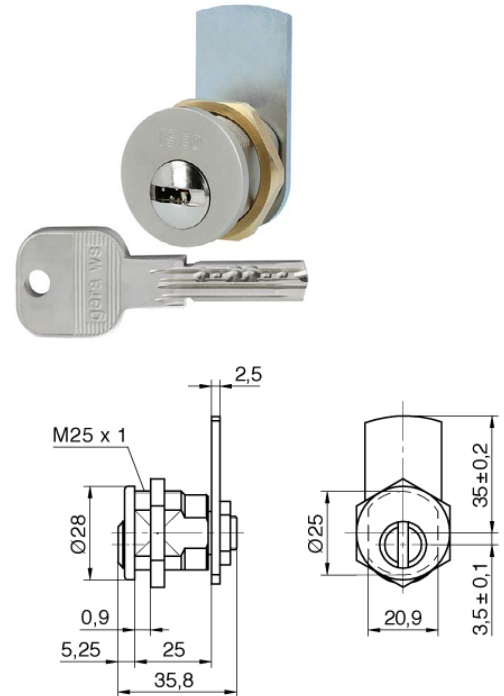
- locking path A: closed on the left, open on the top
- locking path B: closed on the right, open on the top
- locking path E: closed on the top, open on the left
- locking path F: closed on the top, open on the right

Operational area

- letterboxes, cupboards, cloakroom lockers, safes, light poles or inspection flaps
- suitable for RENZ models 10, 11, 12, 13, 14 SA
- private houses and apartments
- office and commercial areas

Scope of delivery

- camlock cylinder incl. 3 or more keys
- closing lever
- mounting nut M25x1
- Security card



Key

- key thickness: 3,6 mm
- reversible key made of nickel silver
- horizontal key insertion
- with permanent magnet
- key with magnet can close the cylinder without magnet
- corrosion-free, low-wear
- easy to handle and good closing comfort
- no key blanks freely available on the market
- optionally: key with colour pin

