

ISEO GERA WS-MC is a magnetically coded reversible key system with security card. This system fulfils high security requirements thanks to the standard drilling protection and the 6-fold locking authorisation query. A special feature here is the active springless pin, which is only activated by the magnet in the key. The permanent magnet provides additional security against unauthorised key copies. The reversible keys made of nickel silver are corrosion-free, low-wear, easy to handle and offer good locking comfort.

Key blanks of the profile series GERA WS-MC are not freely available in the trade.

Basic length

- from 30/10 mm
- measured from the middle of the cam
- extension in 5 mm steps

Technical characteristics

- 5 pin locking elements made of wear-resistant special brass
- 1 additional active springless pin activated by permanent magnet in the key
- 3 hardened cylinder pins in the core and 2 hardened cylinder pins in the body
- 2 intersecting ribs in the centre of the core (paracentric profile)
- 2 anti-picking pins in the cylinder core
- standard drilling protection: three hardened steel pins in the core, 2 hardened steel pins in the body, on both sides
- with trademark protection

Execution

- reversible key system
- horizontal key insertion
- cylinder body: brass matt nickel-plated
- 2 magnets (1 magnet per key side)
- cam made of sintered steel
- cam adjustable in 8 positions

Options / Special equipment

- increased drilling protection
- modular design (please select the cylinder)
- **Other options are available in the modular design.**

Operational area

- indoor and outdoor areas, in conjunction with DIN mortise locks, for lift and switch cylinders, garage doors, garden gates
- simply structured properties such as law firms, doctors' practices, offices
- residential buildings

Scope of delivery

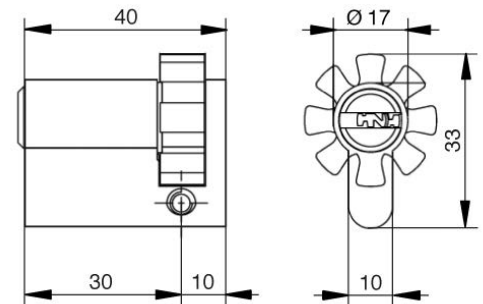
- half cylinder incl. 3 or more keys
- 1 fixing screw M5
- Security card

Standard drilling protection

- three hardened steel pins in the cylinder core • 2 hardened steel pins in the body • on one side

Increased drilling protection

- one carbide pin in the core above the profile • two carbide pins in the body • 1. and 2. pair of pins with hardened steel core • on one side



Key

- key thickness: 3,6 mm
- reversible key made of nickel silver
- horizontal key insertion
- with permanent magnet
- corrosion-free, low-wear
- easy to handle and good closing comfort
- no key blanks freely available on the market
- optionally: key with colour pin

