

ISEO GERA WS is a reversible key profile. The large number of profile variants in combination with 6 locking authorisation queries via the pin system offers a high degree of security against unauthorised re-locking. The nickel silver reversible keys are corrosion-free, low-wear, easy to handle and offer good locking convenience.

Key blanks of the profile series GERA WS are not freely available in the trade.

Measurements

- shackle height: 30 mm
- shackle: \varnothing 8 mm
- case width: 54 mm

Technical characteristics

- including a half cylinder 30/10 mm
- 6 pairs of locking elements
- core pins made of special brass
- standard drilling protection (ABS/A): two hardened dowel pins each in the core and in the body
- according to DIN 18252/DIN EN 1303 class P3 (cylinders are marked with quality mark and registration number)
- with trademark protection

Execution

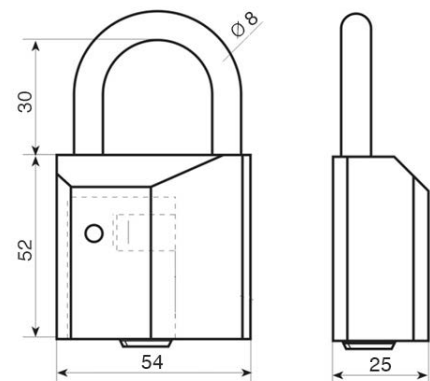
- reversible key system
- horizontal key insertion
- cylinder body: matt nickel plated

Operational area

- indoor and outdoor areas
- cellar doors, garden gates, steel and lattice gates
- private houses and apartments
- office and commercial areas

Scope of delivery

- padlock INOX H30 with half cylinder incl. 3 or more keys
- Security card



Key

- key thickness: 3 mm
- reversible key made of nickel silver
- corrosion-free, low-wear
- easy to handle and good closing comfort
- no key blanks freely available on the market

