

PRODUCT DATA SHEET

sullus[®]
security systems

KESO

8000Ω² padlock 82.J43

ASSA ABLOY

SKU KESO.8000.VH.82.J43

Producer No. 82.J43

KESO 8000Ω² is the latest generation of mechanical and mechatronic locking systems with new active copy protection. The reversible key system can implement both complex and simple locking systems.

A new type of modular system with insert technology ensures that the cylinders can be extended or shortened on site without any problems. Many technical refinements round off the system for all imaginable applications.

With a patent term until 2034 and functional design protection until 2044, the new KESO system offers very long investment protection.

Measurements

- standard shackle height: 25 mm
- shackle: Ø 10 mm
- case width: 57 mm



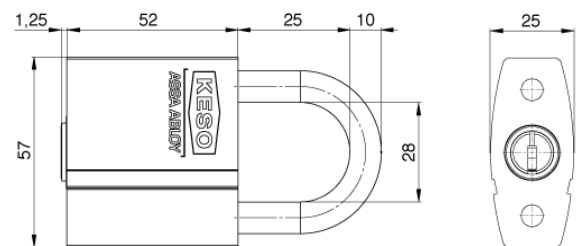
Technical characteristics

- innovative modular system: cylinder design is based on a modular insert system
- active copy protection Omega²
- two independent drilling lines and up to 15 hardened pins (pin locking elements) result in complex combinatorics
- with hardened locking elements HRC60
- picking protection
- patented front profile in key stop



Execution

- reversible key system
- cylinder: brass
- padlock: shiny brass, chrome plated
- shackle: boron steel hardened
- key can only be removed when closed (forced locking)
- vertical, easy key insertion
- compatible with mechatronic and electronic components of the KESO-Integra platform
- not compatible with other KESO systems



Options / Special equipment

- different shackle heights

Operational area

- cellar boxes, wardrobe lockers, other locks
- residences
- office or commercial units, industrial complexes
- hospitals, retirement and nursing homes, hotels
- high security systems

Scope of delivery

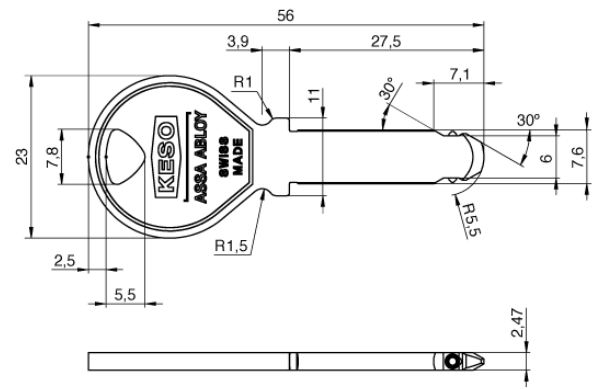
- padlock incl. ordered key
- Security card

Key

- key thickness: 2,5 mm
- reversible key made of unbreakable, corrosion-resistant nickel silver
- max. 5 drilling rows with up to 4 drilling depths
- additional protection through elevation in the key (active copy protection)
- outstanding precision mechanics and high-quality design
- special embossing processes produce high-contrast surfaces with a pleasant feel
- different colours for key caps (optional)
- different key types (optional)
- an additional RFID in the colour cap allows integration into electronic systems such as alarm systems (only for long keys with colour cap) **

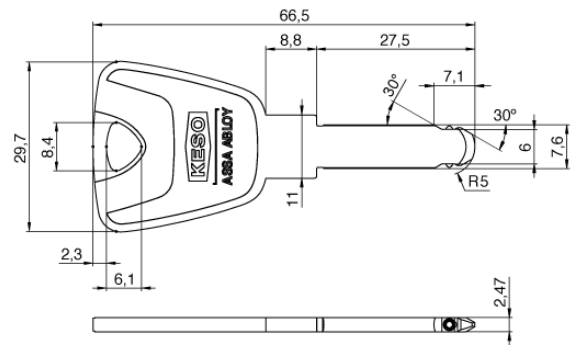
Round key

- the classic among the key forms



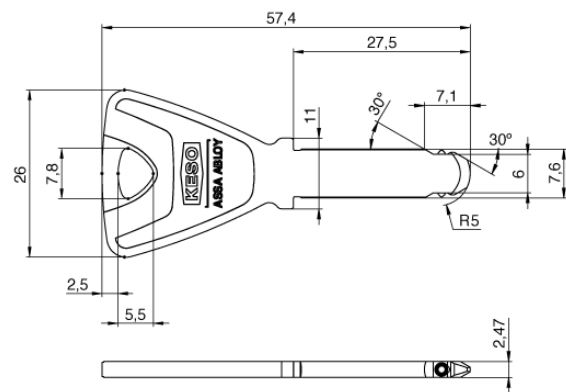
Long key

- due to its design, the long key is ideally suited for use where protective fittings with protector discs are used
- due to its exclusive bow, the long key offers increased user-friendliness
- lies comfortably in the hand, easy operation of the cylinder
- optionally with colour caps for easier identification on the key ring



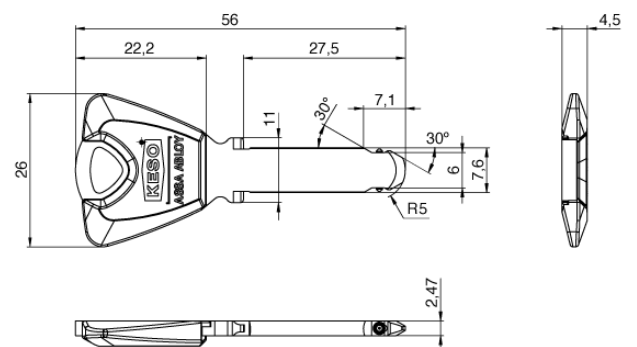
Trapezoid key

- due to its exclusive bow the trapezoid key offers an increased user-friendliness
- lies comfortably in the hand, easy operation of the cylinder
- optionally with colour caps for easier identification on the key ring



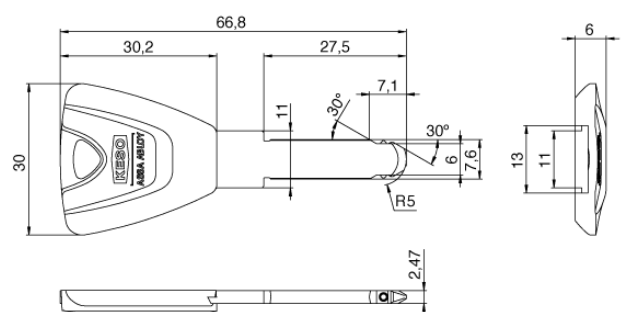
Colour cap key

- clear differentiation of keys by coloured caps
- 13 different colours



Long key with coloured cap

- with coloured caps for easier identification on the key ring
- on request with RFID technology for third-party applications



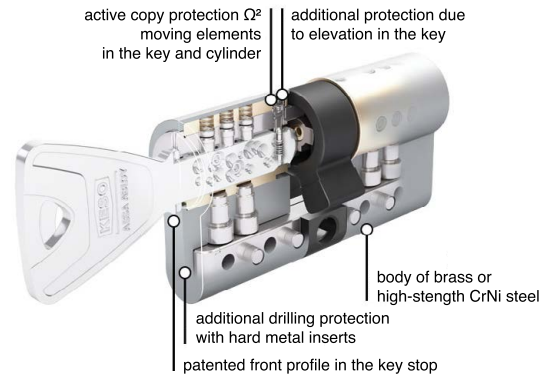
Technical details

Active copy protection Ω^2

The active copy protection Omega² consists of integrated movable elements in the key, which are scanned by several dividing lines in the cylinder. It is therefore not possible to use standard blanks for key copies. This patented technology offers maximum protection against picking attempts and illegal key copies. Since key blanks are only delivered pre-drilled ex works Switzerland to certified and licensed security partners, they cannot be sold on the open market. This means you can be sure at all times that no unauthorized copies of your key can be made and that only original KESO keys can open KESO cylinders.

Two independent drilling lines and up to 15 hardened pins (pin locking elements) result in a complex combinatorics of the locking system. This not only guarantees outstanding security, but also a high level of cost-effectiveness. Thus, your system can be expanded and upgraded at any time. This ensures greater flexibility and optimum investment security.

Consistent security measures in the cylinder, the use of high-quality materials, the targeted use of carbide inserts and a complex interlocking of various measures in the cylinder protect against manipulation, drilling, pulling out or breaking off. All these measures ensure the secure feeling of being optimally protected against burglary.



** on request