

The 3VS system is the new Sinus reversible key profile.

SINUS - this is the name of the new system family from WILKA. The new keyways meet all the expectations put on cylinders in complex locking systems.

Measurements

- case length: 28 mm
- mounting diameter: 30 mm
- drilling distance: 21 mm

Technical characteristics

- 6 pin locking elements, class 80
- up to 12 profile control pins in two additional levels
- standard drilling protection (1 body pin and 1 core pin made of hardened steel)
- 1 stylus pin made of hardened steel for drilling protection
- special pins for picking resistance
- highest patented key copy protection due to additional protector pin on the key
- connecting bar eccentrically arranged
- patent protection until 2036

Execution

- comfortable reversible key system
- horizontal key insertion
- cylinder body: brass matt nickel plated
- easy integration into the „easy“ electronic locking system through mechatronic key

Options / Special equipment

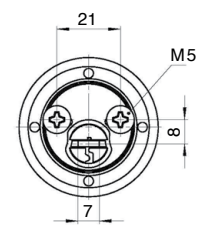
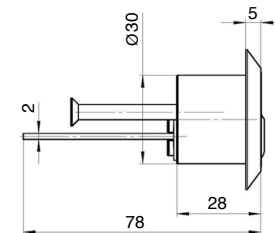
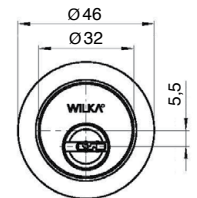
- different cylinder finishes *

Operational area

- exterior doors, additional locks, garage doors and box locks
- private houses and apartments
- commercial sectors

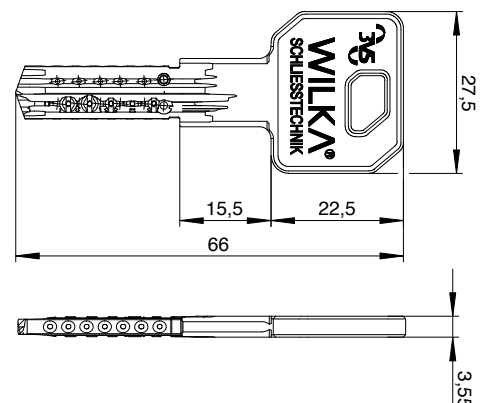
Scope of delivery

- rim cylinder 3652 incl. 1 or more keys
- 2 fixing screws M5
- rosette
- mounting plate
- connecting bar and connecting screws can be shortened during assembly
- Security card



Key

- key thickness: 3,55 mm
- paracentric key profile against unauthorized opening with locking tools
- protector nickel silver key made of high-quality, low-wear nickel silver (highest patented key copy protection)
- reversible key
- new key design for use with standard security fittings



* this selection extends the delivery time