

The 3VS system is the new Sinus reversible key profile.

SINUS - this is the name of the new system family from WILKA. The new keyways meet all the expectations put on cylinders in complex locking systems.

## Measurements

- installation depth: 43 mm
- clamping dimension (lever Renz): 12,8 mm
- mounting hole: Ø 27,7 mm lateral reduced to 24,3 mm

## Technical characteristics

- 6 pin locking elements, class 80
- up to 12 profile control pins in two additional levels
- standard drilling protection (1 body pin and 1 core pin made of hardened steel)
- 1 stylus pin made of hardened steel for drilling protection
- special pins for picking resistance
- highest patented key copy protection due to additional protector pin on the key
- locking path: 90°, lever adjustable in 45° steps by 360 degrees
- patent protection until 2036

## Execution

- comfortable reversible key system
- horizontal key insertion
- cylinder body: brass matt nickel plated
- steel closing lever RENZ
- key can only be removed when closed (forced closure)
- easy integration into the „easy“ electronic locking system through mechatronic key

## Options / Special equipment

- different cylinder finishes \*

## Locking paths

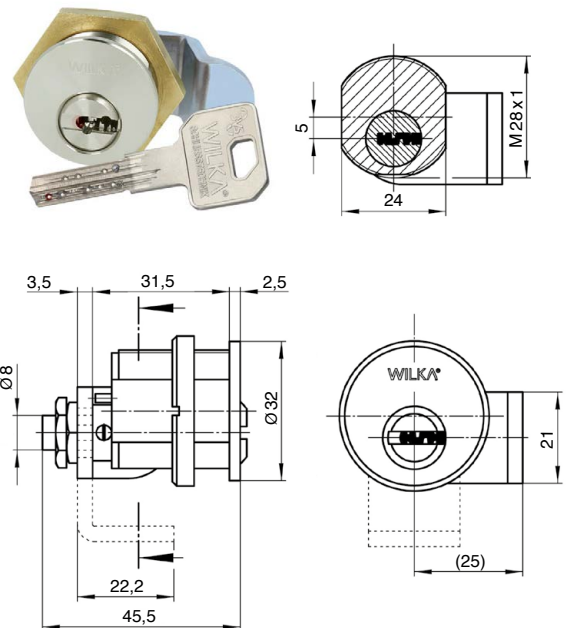
- locking path A: closed on the left, open on the top
- locking path B: closed on the right, open on the top
- locking path E: closed on the top, open on the left
- locking path F: closed on the top, open on the right

## Operational area

- for RENZ mailboxes
- letter box systems, metal cabinets, cassettes, tool compartments, etc.
- private houses and apartments
- commercial sectors

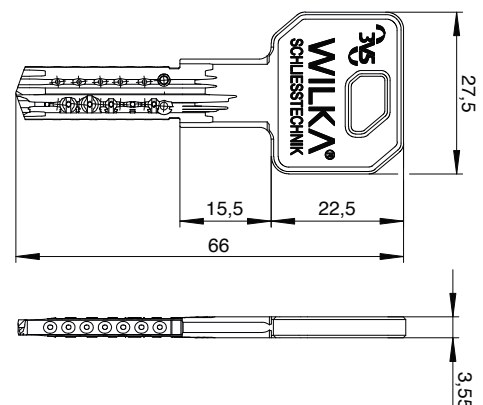
## Scope of delivery

- camlock cylinder / lever cylinder 3657 incl. 1 or more keys
- ring fastening nut M28 x 1 mm made of brass
- Security card



## Key

- key thickness: 3,55 mm
- paracentric key profile against unauthorized opening with locking tools
- protector nickel silver key made of high-quality, low-wear nickel silver (highest patented key copy protection)
- reversible key
- new key design for use with standard security fittings



\* this selection extends the delivery time