

The 3VS system is the new Sinus reversible key profile.

SINUS - this is the name of the new system family from WILKA. The new keyways meet all the expectations put on cylinders in complex locking systems.

Basic length

- from 26,5/9,5 mm
- measured from the middle of cam

Technical characteristics

- 5 pin locking elements, class 70
- up to 12 profile control pins in two additional levels
- standard drilling protection (1 body pin and 1 core pin made of hardened steel)
- 1 stylus pin made of hardened steel for drilling protection
- special pins for picking resistance
- 1 special self-locking pin in the body
- highest patented key copy protection due to additional protector pin on the key
- patent protection until 2036

Execution

- comfortable reversible key system
- horizontal key insertion
- cylinder body: brass matt nickel-plated
- 8-fold adjustable cam, in 45° steps
- easy integration into the „easy“ electronic locking system through mechatronic key

Options / Special equipment

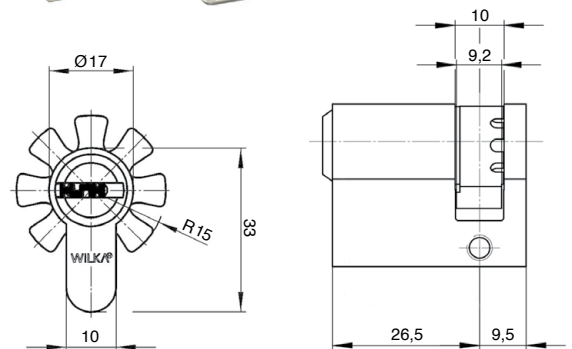
- different cylinder finishes *
- drilling protections (ABH IX and ABH X) *
- weather protection

Operational area

- additional locks, garage doors, sheds and side doors
- private houses and apartments
- commercial sectors

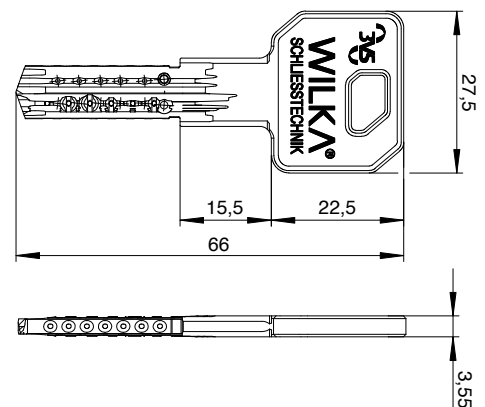
Scope of delivery

- half cylinder short incl. 1 or more keys
- 1 fixing screw M5
- Security card



Key

- key thickness: 3,55 mm
- paracentric key profile against unauthorized opening with locking tools
- protector nickel silver key made of high-quality, low-wear nickel silver (highest patented key copy protection)
- reversible key
- new key design for use with standard security fittings



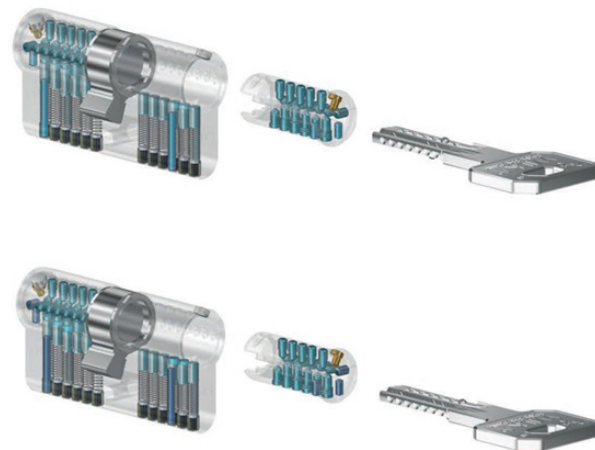
Security options

Drilling protection IX (ABH IX)

- for profile cylinders on endangered doors in reversible key systems
- all safety locking pin pairs made of hardened special steel (nickel-plated)
- each core 2 stylus pins made of hardened special steel
- core with 2 hardened, nickel-plated steel pins for increased protection against pulling and drilling
- body with 2 hardened, nickel-plated steel pins for increased body drilling protection
- not combinable with the option: seawater resistant version

Drilling protection X (ABH X)

- for profile cylinders on endangered doors in reversible key systems
- all safety locking pin pairs made of hardened special steel (nickel-plated)
- each core 2 stylus pins made of hardened special steel
- core with 2 solid carbide pins for highest pulling and drilling protection
- body with 2 solid carbide pins for highest body drilling protection
- not combinable with the option: seawater resistant version



* this selection extends the delivery time