

The Carat S1 system is the new Sinus Profile as a vertical, conventional locking system.

SINUS - that is the name of the new system family from WILKA. The new keyways fulfil all expectations that can be posed to a cylinder of a complex keying system.

Basic length

- 26,5/9,5 mm
- measured from the middle of cam

Technical characteristics

- 5 pin locking elements
- up to 8 profile control balls in two additional levels
- standard drilling protection (1 hardened steel body pin)
- special pins for picking resistance
- 1 self-locking pin in the body
- highest degree of copy protection due to protector pins on key and in cylinder core
- patent protection until 2036

Execution

- user-friendly serrated key system
- vertical key insertion
- cylinder body: brass matt nickel-plated
- 8-fold adjustable cam, in 45° steps
- easy integration into the „easy“ electronic locking system through mechatronic key

Options / Special equipment

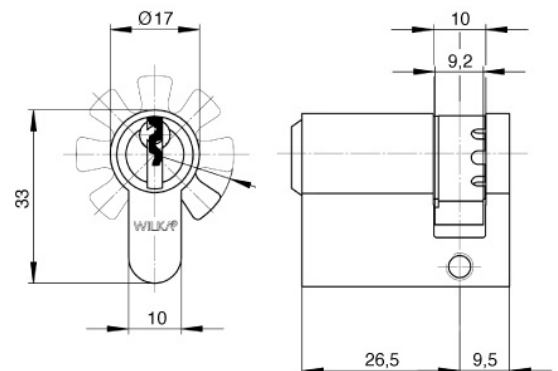
- different cylinder finishes *
- drilling protection (ABH I and ABH III) *
- weather protection

Operational area

- additional locks, garage doors, sheds and side doors
- private houses and apartments
- commercial sectors

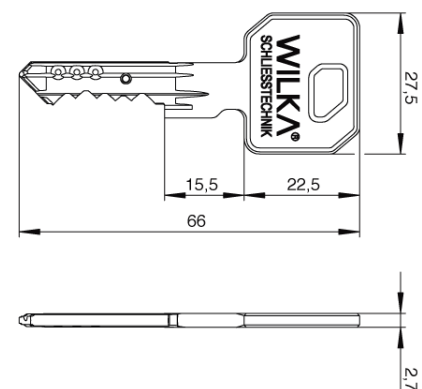
Scope of delivery

- half cylinder short
- incl. 1 or more keys
- 1 fixing screw M5
- Security card



Key

- key thickness: 2,7 mm
- paracentric key profile against unauthorized opening with locking tools
- protector nickel silver key made of high-quality, low-wear nickel silver (highest patented key copy protection)
- serrated key
- new key design for use with standard security fittings



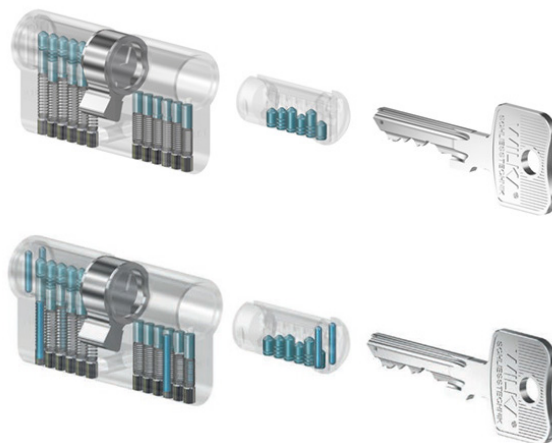
Security options

Drilling protection I (ABH I)

- for profile cylinders on endangered doors in conventional systems
- all pin locking elements made of hardened special steel (nickel-plated)
- drilling inhibition is on both sides
- not combinable with the option: seawater resistant version

Drilling protection III (ABH III)

- for profile cylinders on endangered doors in conventional systems
- all pin locking elements made of hardened special steel (nickel-plated)
- core with 2 hardened, nickel-plated steel pins for increased protection against pulling and drilling
- body with 2 hardened, nickel-plated steel pins for increased body drilling protection
- not combinable with the option: seawater resistant version



* this selection extends the delivery time