

The SI6 system is the new sinus profile as a vertical, conventional locking system.

SINUS - that is the name of the new system family from WILKA. The new keyways fulfil all expectations that can be posed to a cylinder of a complex keying system.

Measurements

- case length: 28 mm
- mounting diameter: 30 mm
- drilling distance: 21 mm

Technical characteristics

- 6 pin locking elements, class 80
- up to 8 profile control balls in two additional levels
- standard drilling protection (1 hardened steel body pin)
- special pins for picking resistance
- highest degree of copy protection due to protector pins on key and in cylinder core
- connecting bar eccentrically arranged
- patent protection until 2036

Execution

- user-friendly serrated key system
- vertical key insertion
- cylinder body: brass matt nickel plated
- easy integration into the „easy“ electronic locking system through mechatronic key

Options / Special equipment

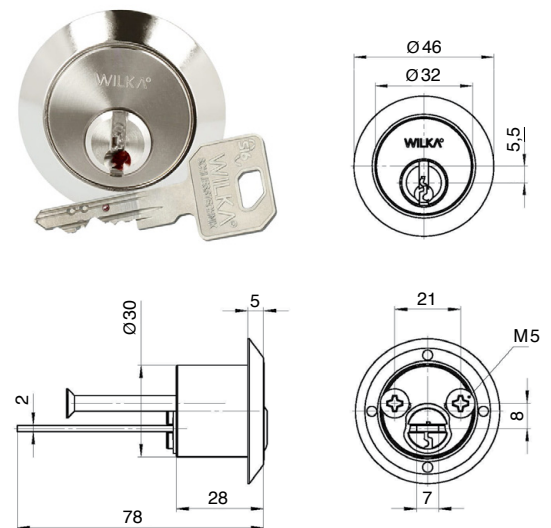
- different cylinder finishes *

Operational area

- exterior doors, additional locks, garage doors and box locks
- private houses and apartments
- commercial sectors

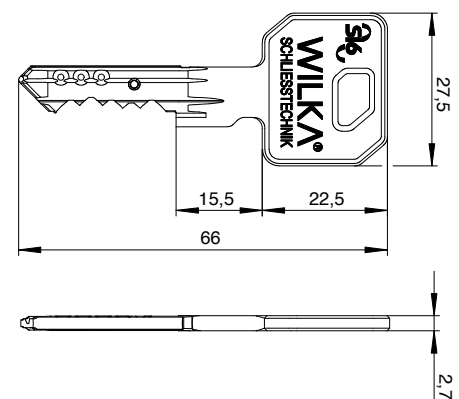
Scope of delivery

- rim cylinder 500 incl. 3 or more keys
- 2 fixing screws M5
- rosette
- mounting plate
- connecting bar and connecting screws can be shortened during assembly
- Security card



Key

- key thickness: 2,7 mm
- paracentric key profile against unauthorized opening with locking tools
- protector nickel silver key made of high-quality, low-wear nickel silver (highest patented key copy protection)
- serrated key
- new key design for use with standard security fittings



* this selection extends the delivery time