

The SI6 system is the new sinus profile as a vertical, conventional locking system.

SINUS - that is the name of the new system family from WILKA. The new keyways fulfil all expectations that can be posed to a cylinder of a complex keying system.

## Measurements

- installation depth: 43 mm
- clamping dimension (lever Renz): 12,8 mm
- mounting hole:  $\varnothing$  27,7 mm lateral reduced to 24,3 mm

## Technical characteristics

- 6 pin locking elements, class 80
- up to 8 profile control balls in two additional levels
- standard drilling protection (1 hardened steel body pin)
- special pins for picking resistance
- highest degree of copy protection due to protector pins on key and in cylinder core
- locking path: 90°, lever adjustable in 45° steps by 360 degrees
- patent protection until 2036

## Execution

- user-friendly serrated key system
- vertical key insertion
- cylinder body: brass matt nickel plated
- steel closing lever RENZ
- key can only be removed when closed (forced closure)
- easy integration into the „easy“ electronic locking system through mechatronic key

## Options / Special equipment

- different cylinder finishes \*

## Locking paths

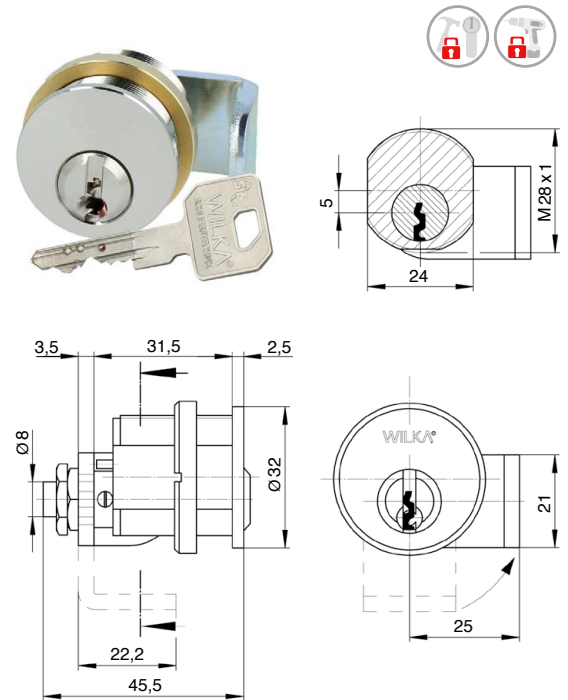
- locking path A: closed on the left, open on the top
- locking path B: closed on the right, open on the top
- locking path E: closed on the top, open on the left
- locking path F: closed on the top, open on the right

## Operational area

- for RENZ mailboxes
- letter box systems, metal cabinets, cassettes, tool compartments, etc.
- private houses and apartments
- commercial sectors

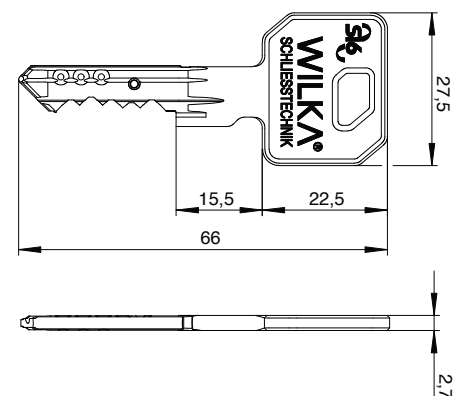
## Scope of delivery

- camlock cylinder / lever cylinder 1253 incl. 3 or more keys
- ring fastening nut M28 x 1 mm made of brass
- Security card



## Key

- key thickness: 2,7 mm
- paracentric key profile against unauthorized opening with locking tools
- protector nickel silver key made of high-quality, low-wear nickel silver (highest patented key copy protection)
- serrated key
- new key design for use with standard security fittings



\* this selection extends the delivery time