

The SI6 system is the new sinus profile as a vertical, conventional locking system.

SINUS - that is the name of the new system family from WILKA. The new keyways fulfil all expectations that can be posed to a cylinder of a complex keying system.

## Basic length

- from 30/9,5 mm
- measured from the middle of cam
- extension in 5 mm steps

## Technical characteristics

- 6 pin locking elements, class 80
- up to 8 profile control balls in two additional levels
- standard drilling protection (1 hardened steel body pin)
- special pins for picking resistance
- 1 self-locking pin in the body
- highest degree of copy protection due to protector pins on key and in cylinder core
- made in Germany according to DIN 18252/DIN EN 1303
- patent protection until 2036

## Execution

- user-friendly serrated key system
- vertical key insertion
- cylinder body: brass matt nickel-plated
- 8-fold adjustable cam, in 45° steps
- easy integration into the „easy“ electronic locking system through mechatronic key

## Options / Special equipment

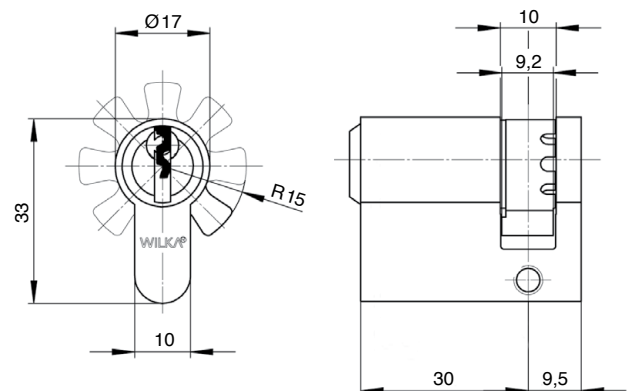
- different cylinder finishes \*
- drilling protection (ABH III and ABH V) \*
- weather protection

## Operational area

- additional locks, garage doors, sheds and side doors
- private houses and apartments
- commercial sectors

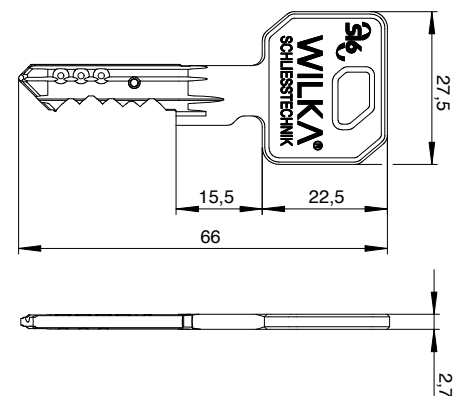
## Scope of delivery

- half cylinder incl. 3 or more keys
- 1 fixing screw M5
- Security card



## Key

- key thickness: 2,7 mm
- paracentric key profile against unauthorized opening with locking tools
- protector nickel silver key made of high-quality, low-wear nickel silver (highest patented key copy protection)
- serrated key
- new key design for use with standard security fittings



## Security options

---

### Drilling protection III (ABH III)

- for profile cylinders on endangered doors in conventional systems
- all pin locking elements made of hardened special steel (nickel plated)
- core with 2 hardened, nickel-plated steel pins for increased protection against pulling and drilling
- body with 2 hardened, nickel plated steel pins for increased body drilling protection
- not combinable with the option: seawater resistant version

### Drilling protection V (ABH V)

- for profile cylinders on endangered doors in conventional systems
- all pin locking elements made of hardened special steel (nickel plated)
- core with 2 solid carbide pins for highest pulling and drilling protection
- body with 2 solid carbide pins for highest body drilling protection
- not combinable with the option: seawater resistant version



\* this selection extends the delivery time