



keyTec N-tra camlock cylinder / lever cylinder

SKU WINK.NTRA.BK28
Producer No. N-tra 28

The reversible key system WINKHAUS keyTec N-tra System offers a very special comfort. With the new key tip and the horizontal insertion, the key can be inserted into the cylinder even more easily and securely. Due to its rounded key shape the reversible key is also easy on trouser pockets and handbags.

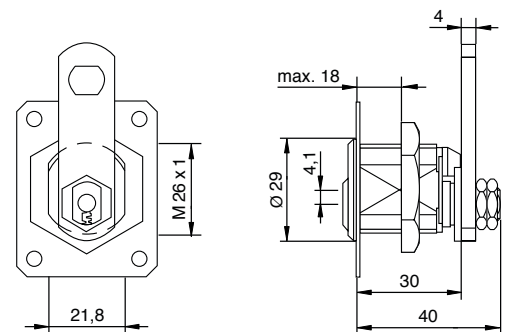
In addition to the comfortable operation, the 6 spring-loaded solid pin locking elements on each side, the additional springless controlled radial pins and the standard drilling and picking protection provide a high level of protection against manipulation of the reversible key system keyTec N-tra.

Measurements

- installation depth: 40 mm
- clamping dimension (lever H1): 30 mm
- mounting hole: Ø 26 mm lateral reduced to 22 mm

Technical characteristics

- 6 spring-loaded solid pin locking elements on each side and up to 8 springless controlled radial pins on 2 closing levels
- 6-pin system in 5-pin dimension
- standard drilling and picking protection through hardened, stainless steel special pins
- profile scanning through catch pin function (manipulation protection)
- cross-shaped groove at the core
- stainless steel core pins
- reinforced key insertion through special cylinder cores
- locking path: 90°, lever path: 90°
- right and left lever adjustable
- for material thicknesses up to 18 mm
- locking plate
- manufactured according to DIN 18252 and EN 1303
- patent protection until at least 2029



Execution

- reversible key system
- comfortable horizontal key insertion
- cylinder body: nickel plated
- key can only be removed when closed
- locking by closing lever
- combination with electronics possible (mechatronic key or mechanical key with integrated transponder for the operation of electronic components double knob cylinder, access reader, door fitting)

Key

- key thickness: 3,4 mm
- increased wear resistance due to nickel silver material
- ergonomically shaped key head for better grip
- 13,3 mm key shaft for the combination of all common safety fittings
- rounded key tip for better insertion comfort
- modern key design

Options / Special equipment

- different closing lever variants (standard closing lever H1: A = 35 mm)
- Always indicate the desired locking path when ordering!

Operational area

- letterboxes, cupboards
- public institutions, schools, kindergartens
- shops, medical practices, office buildings
- small-scale enterprises, large industrial plants

Scope of delivery

- camlock cylinder / lever cylinder incl. 3 or more keys
- standard closing lever H1: A = 35 mm
- mounting nut M26x1
- locking plate
- Security card

