



keyTec N-tra half cylinder

SKU WINK.NTRA.HZ
Producer No. N-tra 02

The reversible key system WINKHAUS keyTec N-tra System offers a very special comfort. With the new key tip and the horizontal insertion, the key can be inserted into the cylinder even more easily and securely. Due to its rounded key shape the reversible key is also easy on trouser pockets and handbags.

In addition to the comfortable operation, the 6 spring-loaded solid pin locking elements on each side, the additional springless controlled radial pins and the standard drilling and picking protection provide a high level of protection against manipulation of the reversible key system keyTec N-tra.

Basic length

- from 30,7/9,2 mm
- measured from the middle of cam
- extension in 5 mm steps

Technical characteristics

- 6 spring-loaded solid pin locking elements on each side and up to 8 springless controlled radial pins on 2 closing levels
- 6-pin system in 5-pin dimension
- standard drilling and picking protection through hardened, stainless steel special pins
- profile scanning through catch pin function (manipulation protection)
- cross-shaped groove at the core
- stainless steel core pins
- reinforced key insertion through special cylinder cores
- manufactured according to DIN 18252 and EN 1303
- patent protection until at least 2029

Execution

- reversible key system
- comfortable horizontal key insertion
- cylinder body: nickel plated
- one-piece locking cam made of sintered steel, non-toxic corrosion protection
- locking cam adjustable in 8 positions
- combination with electronics possible (mechatronic key or mechanical key with integrated transponder for the operation of electronic components double knob cylinder, access reader, door fitting)

Options / Special equipment

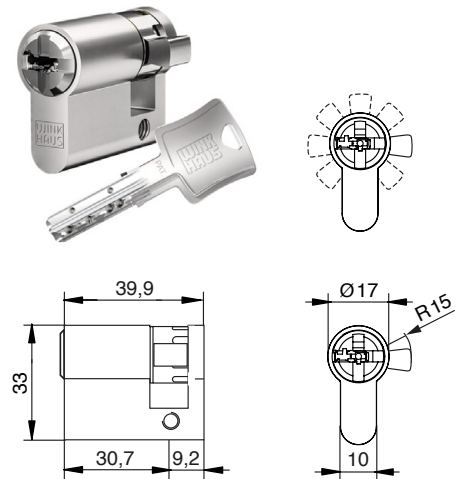
- different cylinder finishes *
- drilling protection *
- seawater resistant version *
- low-wear version *

Operational area

- front doors, connecting doors, office doors, interior doors, exterior doors, apartment doors, gates, etc.
- mortise locks, garage door locks, key switches
- public institutions, schools, kindergartens
- shops, medical practices, office buildings
- small-scale enterprises
- large industrial plants

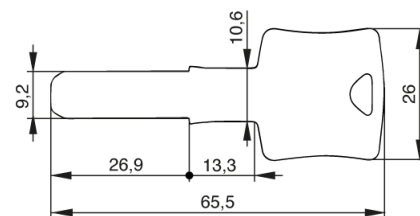
Scope of delivery

- half cylinder incl. 3 or more keys
- fixing screw
- Security card



Key

- key thickness: 3,4 mm
- increased wear resistance due to nickel silver material
- ergonomically shaped key head for better grip
- 13,3 mm key shaft for the combination of all common safety fittings
- rounded key tip for better insertion comfort
- modern key design



* this selection extends the delivery time