



keyTec ON-tra+ rim cylinder

SKU WINK.ONTRA+.AZ
Producer No. ON-tra+ 27

The reversible key system WINKHAUS keyTec ON-tra+ offers a very special comfort in key insertion. In addition to the convenient handling, the system has a high locking security, a standard drilling and picking protection and provides a high protection against manipulation.

The reversible key system keyTec ON-tra+ also has another technical security element in the form of WINKHAUS AZE protection. The additional interrogation unit in the cylinder in combination with the additional element mounted in the key promises extra security and flexibility and effectively protects against key duplication and manipulation.

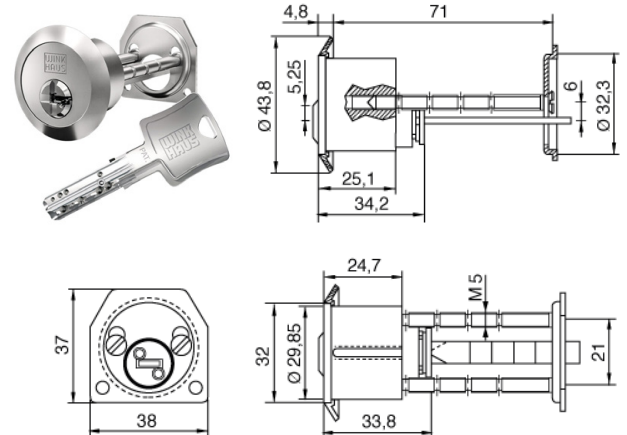
Measurements

- case length: 24,7 mm
- rosette: Ø 43,8 mm
- mounting diameter: 32 mm



Technical characteristics

- 6 spring-loaded solid pin locking elements on each side
- additional up to 14 springless controlled radial pins on 3 closing levels
- optimal protection through additional interrogation unit AZE protection
- 6-pin system in 5-pin dimension
- standard drilling and picking protection through hardened, stainless steel special pins
- profile scanning through catch pin function (manipulation protection)
- high locking security due to tumblers, radial pins and catch pin on 3 locking levels
- cross groove at the core
- stainless steel core pins
- reinforced key insertion through special cylinder cores
- suitable for door thicknesses 40 - 75 mm
- manufactured according to DIN 18252 and EN 1303
- patent protection until 2034



Execution

- reversible key system
- comfortable horizontal key insertion
- cylinder body: nickel plated
- combination with electronic possible (mechatronic key or mechanical key with integrated transponder for the operation of electronic components double knob cylinder, access reader, door fitting)

Options / Special equipment

- type 27/09 for ABUS box locks, Ø 28 mm, incl. ABUS rosette
- type 27/10 for IKON rim locks and multiple locking systems, Ø 29 mm

Operational area

- for WINKHAUS box locks (type 27)
- for ABUS case locks (type 27/09), for IKON case locks (type 27/10)
- for use in large properties with comprehensive locking hierarchies

Scope of delivery

- rim cylinder type 27 including 3 or more keys
- mounting plate and screws
- Security card

Key

- key thickness: 3,4 mm
- increased wear resistance due to nickel silver material
- ergonomically shaped key head for better grip
- 13,3 mm key shaft for the combination of all common safety fittings
- rounded key tip for better insertion comfort
- modern key design
- optimal protection through additional interrogation unit AZE protection

