



keyTec ON-tra+ padlock

SKU WINK.ONTRA+.VH85
Producer No. ON-tra+ 85

The reversible key system WINKHAUS keyTec ON-tra+ offers a very special comfort in key insertion. In addition to the convenient handling, the system has a high locking security, a standard drilling and picking protection and provides a high protection against manipulation.

The reversible key system keyTec ON-tra+ also has another technical security element in the form of WINKHAUS AZE protection. The additional interrogation unit in the cylinder in combination with the additional element mounted in the key promises extra security and flexibility and effectively protects against key duplication and manipulation.

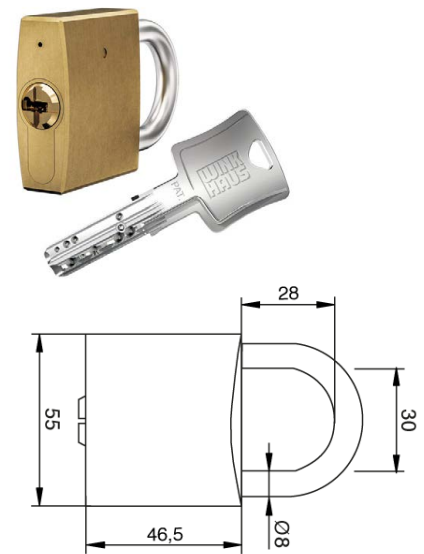
Measurements

- standard shackle height: 28 mm
- clear width: 30 mm
- shackle: \varnothing 8 mm
- case width: 55 mm



Technical characteristics

- 6 spring-loaded solid pin locking elements on each side
- additional up to 14 springless controlled radial pins on 3 closing levels
- optimal protection through additional interrogation unit AZE protection
- 6-pin system in 5-pin dimension
- standard drilling and picking protection due to hardened, stainless special pins
- profile scanning through catch pin function (manipulation protection)
- high locking security due to tumblers, radial pins and catch pin on 3 locking levels
- cross-shaped groove at the core
- stainless steel core pins
- reinforced key insertion through special cylinder cores
- without forced locking
- manufactured according to DIN 18252 and EN 1303



Execution

- reversible key system
- comfortable horizontal key insertion
- cylinder: brass, padlock body: brass matt
- stainless steel shackle
- combination with electronic possible (mechatronic key or mechanical key with integrated transponder for the operation of electronic components double knob cylinder, access reader, door fitting)

Key

- key thickness: 3,4 mm
- increased wear resistance due to nickel silver material
- ergonomically shaped key head for better grip
- 13,3 mm key shaft for the combination of all common safety fittings
- rounded key tip for better insertion comfort
- modern key design
- optimal protection through additional interrogation unit AZE protection

Options / Special equipment

- different shackle heights (64 mm)

Operational area

- simple doors that are locked with a latch (indoors and outdoors)
- medicine cabinets, filing cabinets
- cellar and lattice boxes, sheds, chain lock

Scope of delivery

- padlock including 3 or more keys
- Security card

