



keyTec RPE camlock cylinder / lever cylinder

SKU WINK.RPE.BK28
Producer No. RPE 28

With the patented keyTec RPE system from WINKHAUS, sophisticated locking technology can now also be implemented flexibly and economically in private homes.

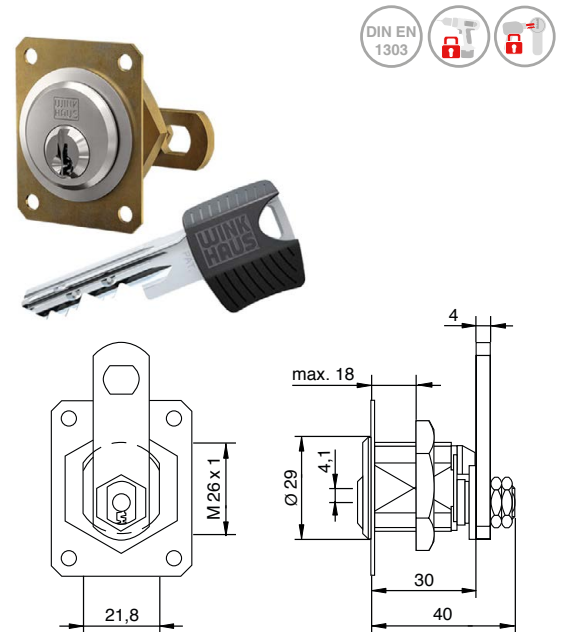
A new type of copy protection provides the certainty that only authorised persons can make a duplicate key. This is achieved by a specially shaped rib on the key, which is scanned in the locking cylinder by a locking ball (protectBall).

Measurements

- installation depth: 40 mm
- clamping dimension (lever H1): 30 mm
- mounting hole: Ø 26 mm lateral reduced to 22 mm

Technical characteristics

- 5 spring-loaded solid pin locking elements per side
- additionally up to 8 lateral springless controlled radial pins, which are scanned through bore recesses (calottes) on the key and thus improve scanning protection
- protection against drilling through hardened, stainless steel pins
- standard picking protection through special pins
- locking ball (protectBall) with rib check
- multiple paracentric key profiles for increased unlocking security
- core pins made of resistant hard bronze
- reinforced key insertion through special cylinder cores
- locking path: 90°, closing lever path: 90°
- right and left lever adjustable
- for material thickness up to 18 mm
- locking plate
- manufactured according to DIN 18252 and EN 1303
- patent protection until at least 2028



Execution

- conventional locking system
- vertical key insertion
- cylinder body: nickel plated
- combination with electronics possible (mechatronic key or mechanical key with integrated transponder for the operation of electronic components double knob cylinder, access reader, door fitting)

Options / Special equipment

- different closing lever variants (standard closing lever H1: A = 35 mm)
- Always indicate the desired locking path when ordering!

Operational area

- letterboxes, cupboards
- private homes
- small-scale enterprises
- shop premises

Scope of delivery

- camlock cylinder / lever cylinder incl. 3 or more keys
- standard closing lever H1: A = 35 mm
- mounting nut M26x1
- locking plate
- Security card

Key

- key thickness: 3 mm
- serrated key made of wear-resistant nickel silver
- ergonomically shaped key head for better grip
- 13,1 mm key shaft for the combination of all common safety fittings
- specially shaped key tip for less wear
- modern key design
- high-quality plastic cap in different colours for individual adjustment
- caps in different colours optionally available

