



keyTec X-tra rim cylinder type 27

SKU WINK.XTRA.AZ
Producer No. X-tra 27

The system combines the advantages of conventional „serrated keys“, such as a wide range of key profiles and a large number of variants, with the convenience of reversible key systems.

In addition to convenient operation, the variable locking surfaces with up to 20 spring-loaded radial pins and multiple stepped calotte bores, standard drilling and pulling protection and the special convex shape of the key ensure the high security of the X-tra reversible key system.

Measurements

- case length: 24,7 mm
- rosette: Ø 43,8 mm
- mounting diameter: 32 mm

Technical characteristics

- up to 20 radially arranged locking pins in 4 rows per side
- picking protection
- high manipulation protection
- reinforced key insertion through special cylinder cores
- suitable for door thicknesses 40 - 75 mm
- manufactured according to DIN 18252 and EN 1303
- patent protection until 2025

Execution

- reversible key system
- comfortable vertical key insertion
- cylinder body: brass nickel plated
- combination with electronics possible (mechatronic key or mechanical key with integrated transponder for the operation of electronic components double knob cylinder, access reader, door fitting)

Options / Special equipment

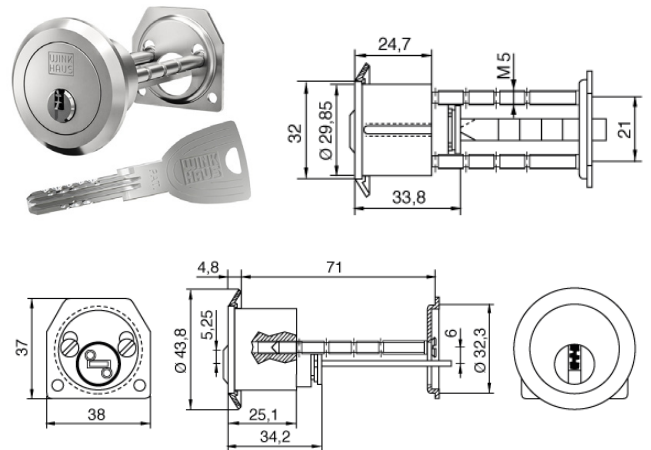
- type 27/09 for ABUS box locks, Ø 28 mm, incl. ABUS rosette
- type 27/10 for IKON rim locks and multiple locking systems, Ø 29 mm

Operational area

- for WINKHAUS box locks (type 27)
- for ABUS case locks (type 27/09), for IKON case locks (type 27/10)

Scope of delivery

- rim cylinder type 27 incl. 3 or more keys
- mounting plate and screws
- Security card



Key

- key thickness: 3,4 mm
- comfortable reversible key
- increased wear resistance due to nickel silver material
- ergonomically shaped key head for better grip
- 13,5 mm key shaft for the combination of all common safety fittings
- variable longitudinal profiles prevent the insertion of unauthorised keys
- special key tip for better insertion comfort
- key cap in different colours optionally available
- material thickness cap: 5,8 mm
- 5 intensive colours: blue, yellow, green, red, black

